

05 Series Multi-Layer Light Tower

Each light element can be mounted or replaced by user easily. No tool is necessary. Use of high-luminance LEDs (Light Emitting Diodes) to enhance the extra brightness for 05 series light tower. It can extend life-time of the operation so as to provide no requirement for maintenance.

05 series Multi-Layer Light Tower

Φ 50 mm 56-57

Φ 70 mm 58-59



Linking your system

www.ema-electronic.com

Features

- Size: Φ 50mm, Φ 70mm
- 5 stands selectable
- Long lifetime and brightness LEDs
- 360° view: excellent visibility with no block and no shadow
- Modular design for installation without tools
- Patent design for advancing brightness and easy installation
- The frequency of alarm: 60~80 times/min
- Buzzer volume: 100~120 dB/M
- Materials of construction: Layer-PC, lampshade-ABS, Stand-AI
- Materials in protection of corrosive
- Confirmative to CE
- Meets EEC RoHS Directive
- Protection rating: IP54, IP65



The meaning of colors

According to Machinery Directive IEC/EN 60204-1, the different colors of the light modular elements specify the meaning for the operating status. All selection of the colors are based on the demands of the user.



Red
Dangerous status - immediate action



Yellow
Abnormal status - in monitor or action



Green
Normal status - no action



Blue
Discontinuity status - action mandatory



White
Other status - can be identified by the user

Max.power

LED Light Module	0550 ultrabright		0570 ultrabright	
	Red, Yellow	1.2W	Red, Yellow	1.7W
	Green, Blue, White	1.7W	Green, Blue, White	2.3W
	0550 standard	0.75W	0570 standrd	1.2W
Buzzer	0550buzzer	0.5W	0570buzzer	0.75W

LED makes your products more competitive

Use of high-luminance LEDs (Light Emitting Diodes) to enhance the extra brightness for 05 series light tower. It can extend life-time of the operation so as to provide no requirement for maintenance.



Benefits of LED:

- Long life-time up to 50,000 hours
- Working in high-speed condition
- Anti-shock
- Durable and reliable
- Energy saving

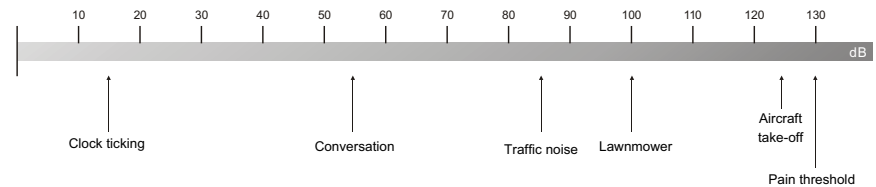
Table of operating range

Db is the unit of Volumn, higher Db means louder volumn, if Db increases 10 each time, then volumn will be ten times than that of before. That is, volumn power of 20Db is ten times than that of 10Db, volumn power of 30Db is ten times than that of 20Db. If 10Db sent out by 10 sound source at the same time, then the power will be ten times than that of 10Db, that is 20Db.

Distance(m)	Level of sound dB(A)																						
	120	118	116	114	112	110	108	106	104	102	100	98	96	94	92	90	85	80	75	70	65		
1	114	112	110	108	106	104	102	100	98	96	94	92	90	88	86	84	82	80	79	74	69	64	59
2	110	108	106	104	102	100	98	96	94	92	90	88	86	84	82	80	75	70	65	60	55	51	46
3	106	104	102	100	98	96	94	92	90	88	86	84	82	80	78	76	71	66	61	56	51	46	41
5	100	98	96	94	92	90	88	86	84	82	80	78	76	74	72	70	65	60	55	50	45	40	35
10	94	92	90	88	86	84	82	80	78	76	74	72	70	68	66	64	59	54	49	44	39	34	29
20	90	88	86	84	82	80	78	76	74	72	70	68	66	64	62	60	55	50	45	40	35	30	25
30	86	84	82	80	78	76	74	72	70	68	66	64	62	60	58	56	51	46	41	36	31	26	21
50	80	78	76	74	72	70	68	66	64	62	60	58	56	54	52	50	45	40					
100	74	75	70	68	66	64	62	60	58	56	54	52	50	48	46	44	39						
200	70	68	66	64	62	60	58	56	54	52	50	48	46	44	42	40							
300	66	64	62	60	58	56	54	52	50	48	46	44	42	40	38								
500	60	58	56	54	52	50	48	46	44	42	40	38											
1000																							

Examples of noise

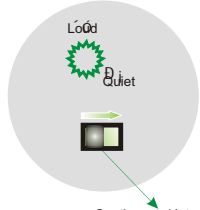
Enviornmental noise comes from four sources 1. Noise Sent out from traffic vehicles. include automobile, train and plane 2. Factory noise. for example, blower, turbine, loom and punching machine 3. Construction noise, like pile driving engine, excavating machine and concrete mixer 4. Social life noise, for example, noise sent out from high volumn horn, recorder.



01 series 16mm Control Switches
02 series 22/25/30mm Control Switches
05 series Multi-Layer Light Tower
Drawing

Buzzer

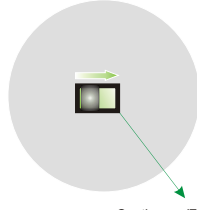
Switchable Continuous/intermittent buzzer and adjustable volume up to 100~120dB at a distance of 1 meter which is more helpful for operators even in a noisy environment. The frequency of buzzer is 60~80 beeps per minute.



Continuous / Intermittent

Switchable continuous/flashing light

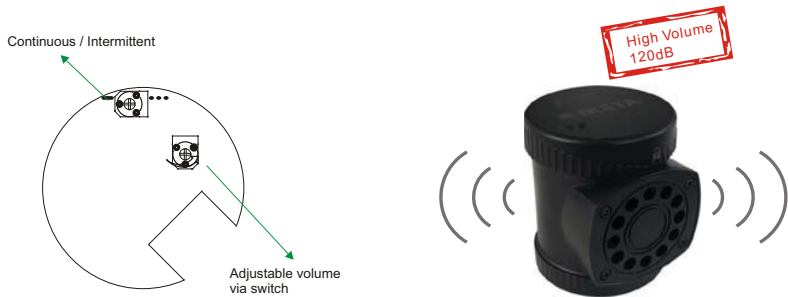
Flashing light module can be switched by user manually to increase its agility and reduce your inventory.



Continuous/Flashing light

Innovative 70mm buzzer with high volume

When using multi-layer light towers in the field with loud area or outdoors, customers express the demand of the buzzer with louder volume. ema develop an innovative $\Phi 70$ mm buzzer up to 120dB/M with voltage in 24VDC. This new model enhances the volume of buzzer extremely. Moreover, it can be installed in any position and there is no limit to be installed on the top of tower. This new feature provides customers with more flexible, convenient options on installation. The volume and the mode of signaling of this buzzer can be adjusted by a switch inside.



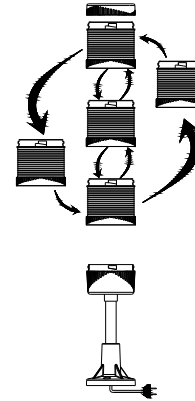
Wide input voltage

05 Series with DC voltage offer reversal polarity protection to secure your connection. A wide range rated voltage of 85~275VAC can support you in promotion of your system to worldwide.



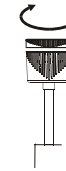
Modular design

Each light element can be mounted or replaced by user easily. No tool is necessary.



Easy installation

Thanks for modular design, the user can turn the light element slightly until it cannot move.



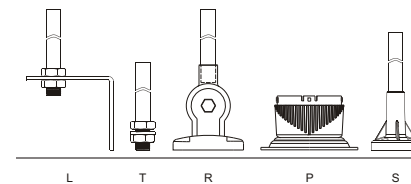
Align "♣" on lamp holder to "▲" on groove, wrest toward left to "♣", open the top cover of the stand.



Align "♣" on lamp shade to "▲" on groove, wrest toward right until hearing "click", and the mounting is finished.

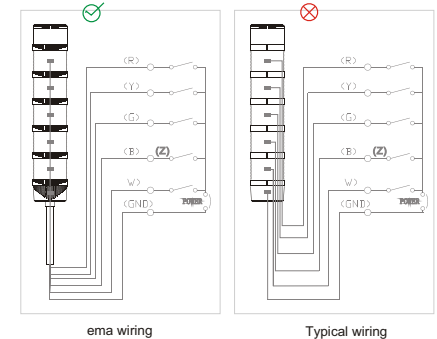
Easy mounting

Easy and quick selections of mounting with integrated stands. Custom length of stand is available.



Easy connection

No need to wire the cable from the top light element to the end. It is convenient to open the cap of stand for wiring – Save material cost and installation time.



01 Series 16mm Control Switches
02 series 22/25/30mm Control Switches
05 series Multi-Layer Light Tower
Drawing



- Long lifetime and brightness LED lamp embedded
- Modular design for installation without tools
- Patent design for advancing brightness and easy installation
- Good looking and well practical stand
- The frequency of alarm: 60~80 times per minute
- Buzzer volume: 100 dB per meter
- Materials in protection of corrosive
- Protection rating:IP54、IP65



For the convenience of your inventory control and the alternation of accessories, you can choose themodule. Also it is unnecessary for you to buy the whole set of the product while the circuit or only certain light element is out of work .Our module design makes your inventory and maintenance expense lowest.

Type of Stand

Bracket Shape	S Type	T Type	L Type	R Type	P Type
Drawing					

LED Light Module Drawing NO.:M3(60P)

05	50	Y	24	L	E	H
Series	Size	Layer color	Power supply	Type of light	LED brightness	Protection
05	Φ50mm	■ R=Red	12=12VDC	L=Continuous	Skip=brighter	H=IP65
		■ Y=Yellow	24=24VDC	F=Flashing	E=standard	Skip=IP54
		■ G=Green	AW=85~275VAC			
		■ B=Blue				
		■ W=White				

Light Module

05	50	Y	24	L	S	H
Series	Size	Layer color	Power supply	Type of light	Mode of light	Protection
05	Φ50 mm	■ R=Red	12=12VDC	L=Continuous	S=Economic (LED BA15S)	H=IP65
		■ Y=Yellow	24=24VDC	F=Flashing	D=Incandescent lamp (BA9S) 仅供应长亮	Omission=IP54
		■ G=Green	11=110 VAC			
		■ B=Blue	22=220VAC			
		■ W=White				

Buzzer Module Drawing NO.:M4(60P)

05	50	Z	12	F	K	H
Series	Size	Buzzer	Power supply	Type of Tone	Layer color	Protection
05	Φ50mm	□ Z	12=12VDC	F=Continuous, Intermittent can be adjusted	W=White	H=Protection
			24=24VDC		K=Black	Skip=IP54
			AW=85~275VAC			

Stand Module

05	50	TB	S	01	K	H
Series	Size	Stand	Type of Stand	Length	Layer color	Protection
05	Φ50mm	TB	S=S Type	01=10mm	W=White	H=Protection
			T=T Type	10=100mm	K=Black	Skip=IP54
			L=L Type	25=250mm		
			R=R Type			
			P=P Type			

Light Tower Module Drawing NO.:M1(60P)

05	50	RYG	24	S10	W	L	H
Series	Size	Layer color	Power supply	Type of Stand	Layer color	Type of light	Protection
05	Φ50mm	■ R=Red	12=12VDC	S01、S10、S25	W=White	L=Continuous	H=Protection
		■ Y=Yellow	24=24VDC	T01、T10、T25	K=Black	F=Flashing	Skip=IP54
		■ G=Green	AW=85~275VAC	L01、L10、L25			
		■ B=Blue		R01、R10、R25			
		■ W=White		P			
		□ Z=Buzzer					

01 series 16mm Control Switches
02 series 22/25/30mm Control Switches
05 series Multi-Layer Light Tower
Drawing

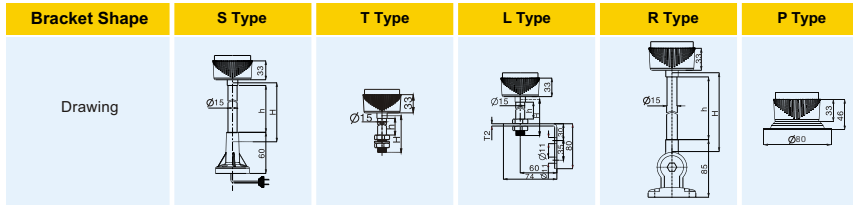


- Long lifetime and brightness LED lamp embedded
- Modular design for installation without tools
- Patent design for advancing brightness and easy installation
- Good looking and well practical stand
- The frequency of alarm: 60~80 times per minute
- Buzzer volume: 100 dB or 120 dB per meter
- Materials in protection of corrosive
- Protection rating:IP54、IP65



For the convenience of your inventory control and the alternation of accessories, you can choose the module. Also it is unnecessary for you to buy the whole set of the product while the circuit or only certain light element is out of work .Our module design makes your inventory and maintenance expense lowest.

Type of Stand



LED Light Module Drawing NO.:M5(60P)

05	70	Y	24	L	E	H
Series	Size	Layer color	Power supply	Type of light	LED brightness	Protection
05	φ70mm	R=Red	12=12VDC	L=Continuous	Skip=brighter	H=IP65
		Y=Yellow	24=24VDC	F=Flashing	E=standard	Skip=IP54
		G=Green	AW=85~275VAC			
		B=Blue				
		W=White				

Light Module

05	70	Y	24	L	S	H
Series	Size	Layer color	Power supply	Type of light	Mode of light	Protection
05	φ70 mm	R=Red	12=12VDC	L=Continuous	S=Economic (LED BA15S)	H=IP65
		Y=Yellow	24=24VDC	F=Flashing	D=Incandescent lamp (BA9S) 仅供应长亮	Omission=IP54
		G=Green	11=110VAC			
		B=Blue	22=220VAC			
		W=White				

Buzzer Module Drawing NO.:M6(60P)

05	70	Z	12	F	K	H
Series	Size	Buzzer	Power supply	Type of Tone	Layer color	Protection
05	φ70mm	Z=100dB	12=12VDC	F=Continuous, Intermittent can be adjusted	W=White	H=Protection
		X=120dB	24=24VDC		K=Black	Skip=IP54
			AW=85~275VAC			

Notice: The 70mm buzzer with 120dB is only available in 24VDC type.

Stand Module

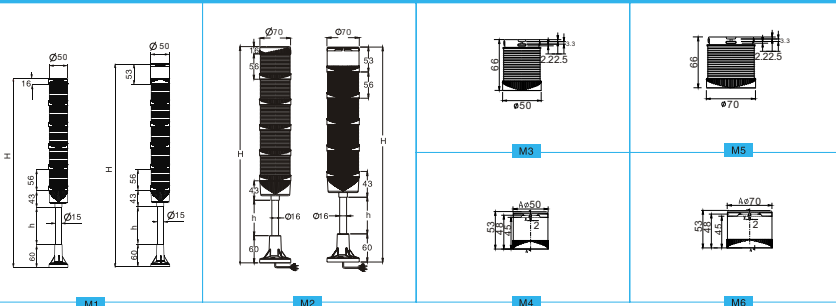
05	70	TB	S	01	K	H
Series	Size	Stand	Type of Stand	Length	Layer color	Protection
05	φ70mm	TB	S=S Type	01=10mm	W=White	H=Protection
			T=T Type	10=100mm	K=Black	Skip=IP54
			L=L Type	25=250mm		
			R=R Type			
			P=P Type			

Light Tower Module Drawing NO.:M2(60P)

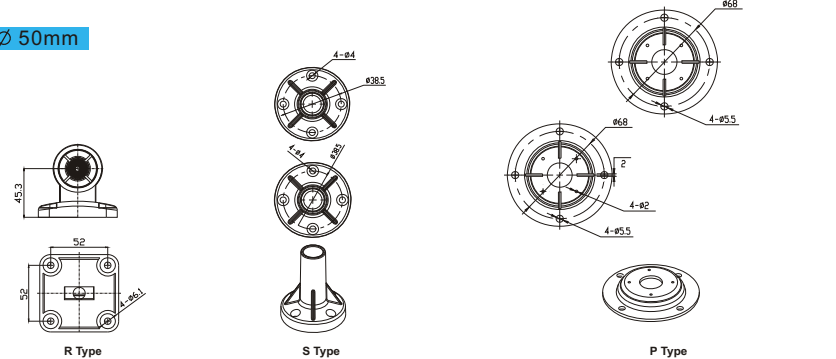
05	70	RYG	24	S10	W	L	H
Series	Size	Layer color	Power supply	Type of Stand	Layer color	Type of light	Protection
05	φ70 mm	R=Red	12=12VDC	S01、S10、S25	W=White	L=Continuous	H=Protection
		Y=Yellow	24=24VDC	T01、T10、T25	K=Black	F=Flashing	Skip=IP54
		G=Green	AW=85~275VAC	L01、L10、L25			
		B=Blue		R01、R10、R25			
		W=White		P			
		Z=Buzzer					

01 series 16mm Control Switches
 02 series 22/25/30mm Control Switches
 05 series Multi-Layer Light Tower
 Drawing

05 Series Multi-Layer Light Tower



Ø 50mm



Ø 70mm

