

Foot Switches



APS1211-V0

Applications

Choose these switches for foot switch-operated machines such as shearing machines, spinning machines, spinning lathes, machine tools, wrapping machines, riveting machines, and riveting presses.

AutomationDirect stocks foot switches in these operational formats:

- **Free movement (momentary):**
Contact position follows pedal movement; actuated when the pedal is pushed down, released when pedal is in state of rest.
- **Foot switch locked in neutral position (safety anti-trip momentary):**
Same operation as above, after unlocking the pedal with the foot.
- **Foot switch latched in low position (maintained):**
Same operation as free movement, except that a state of rest is obtained only after pedal is unlatched.



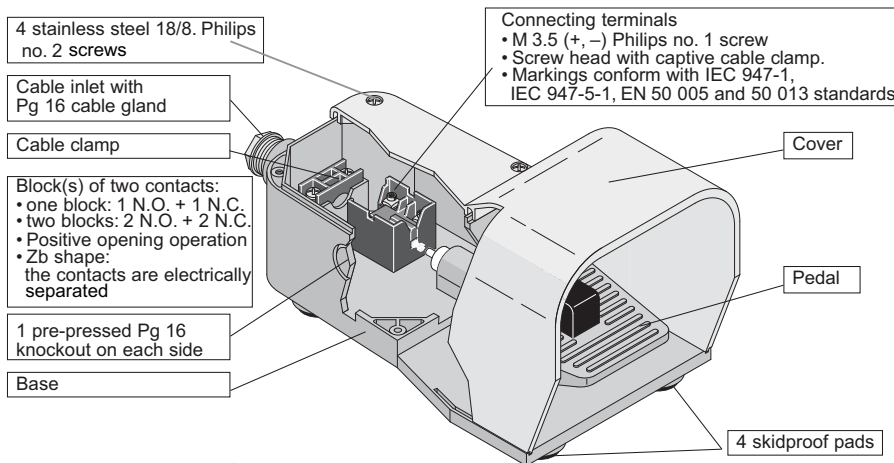
APD1231-V0



APS1151-V0

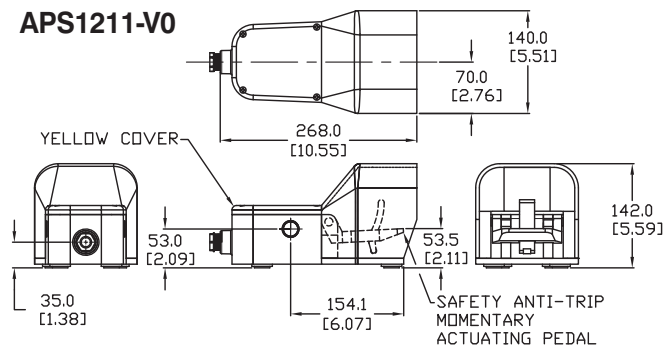
Description

- **Plastic Unit Materials**
Base, cover and pedal of shock-resistant ABS plastic material
- **Aluminum Unit Materials**
Base and pedal of shock-resistant ABS plastic material; cover of die-cast aluminum
- Double switches include a 16" carrying rod

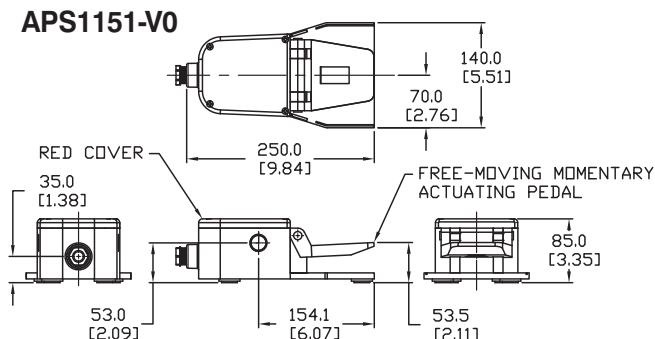


Dimensions mm [inches]

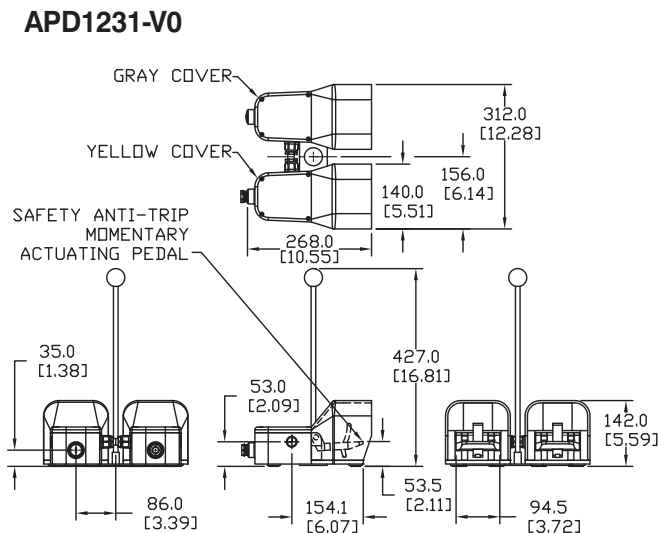
APS1211-V0



APS1151-V0



APD1231-V0



Foot Switches

All footswitches have heavy duty ABS plastic bases.



ABS Plastic Foot Switch Selection			
Part Number	Cover Color	Price	Description
APS1211-VO	Yellow	<--->	Single, ABS plastic, safety actuating lever, 1 N.O. and 1 N.C. snap action contacts
APS1213-VO	Yellow	<--->	Single, ABS plastic, safety actuating lever, 2 N.O. and 2 N.C. snap action contacts
APS1151-VO	Half Red	<--->	Single, ABS plastic, free-moving mounting, 1 N.O. and 1 N.C. snap action contacts
APD1231-VO	One Yellow One Gray	<--->	Double, ABS plastic, safety actuating lever, 1 N.O. and 1 N.C. snap action contacts for each switch



Die-cast Aluminum Foot Switch Selection			
Part Number	Cover Color	Price	Description
APS1113-VO-M	Yellow	<--->	Single, die-cast aluminum, free moving momentary actuating pedal, 2 N.O. and 2 N.C. snap action contacts
APS1114-VO-M	Yellow	<--->	Single, die-cast aluminum, free moving momentary actuating pedal, 2 N.O. and 2 N.C. slow action contacts
APS1123-VO-M	Gray	<--->	Single, die-cast aluminum, free moving momentary actuating pedal, 2 N.O. and 2 N.C. snap action contacts
APS1124-VO-M	Gray	<--->	Single, die-cast aluminum, free moving momentary actuating pedal, 2 N.O. and 2 N.C. slow action contacts
APS1143-VO-M	Red	<--->	Single, die-cast aluminum, free moving momentary actuating pedal, 2 N.O. and 2 N.C. snap action contacts
APS1144-VO-M	Red	<--->	Single, die-cast aluminum, free moving momentary actuating pedal, 2 N.O. and 2 N.C. slow action contacts
APS1213-VO-M	Yellow	<--->	Single, die-cast aluminum, safety anti-trip momentary actuating pedal, 2 N.O. and 2 N.C. snap action contacts
APS1214-VO-M	Yellow	<--->	Single, die-cast aluminum, safety anti-trip momentary actuating pedal, 2 N.O. and 2 N.C. slow action contacts
APS1223-VO-M	Gray	<--->	Single, die-cast aluminum, safety anti-trip momentary actuating pedal, 2 N.O. and 2 N.C. snap action contacts
APS1224-VO-M	Gray	<--->	Single, die-cast aluminum, safety anti-trip momentary actuating pedal, 2 N.O. and 2 N.C. slow action contacts
APS1243-VO-M	Red	<--->	Single, die-cast aluminum, safety anti-trip momentary actuating pedal, 2 N.O. and 2 N.C. snap action contacts
APS1244-VO-M	Red	<--->	Single, die-cast aluminum, safety anti-trip momentary actuating pedal, 2 N.O. and 2 N.C. slow action contacts
APS1313-VO-M	Yellow	<--->	Single, die-cast aluminum, free moving maintained actuating pedal, 2 N.O. and 2 N.C. snap action contacts
APS1314-VO-M	Yellow	<--->	Single, die-cast aluminum, free moving maintained actuating pedal, 2 N.O. and 2 N.C. slow action contacts
APS1323-VO-M	Gray	<--->	Single, die-cast aluminum, free moving maintained actuating pedal, 2 N.O. and 2 N.C. snap action contacts
APS1324-VO-M	Gray	<--->	Single, die-cast aluminum, free moving maintained actuating pedal, 2 N.O. and 2 N.C. slow action contacts
APS1343-VO-M	Red	<--->	Single, die-cast aluminum, free moving maintained actuating pedal, 2 N.O. and 2 N.C. snap action contacts
APS1344-VO-M	Red	<--->	Single, die-cast aluminum, free moving maintained actuating pedal, 2 N.O. and 2 N.C. slow action contacts
APD1113-VO-M	Yellow	<--->	Double, die-cast aluminum, 2 free moving momentary actuating pedals, each with 2 N.O. and 2 N.C. snap action contacts
APD1114-VO-M	Yellow	<--->	Double, die-cast aluminum, 2 free moving momentary actuating pedals, each with 2 N.O. and 2 N.C. slow action contacts
APD1123-VO-M	Gray	<--->	Double, die-cast aluminum, 2 free moving momentary actuating pedals, each with 2 N.O. and 2 N.C. snap action contacts
APD1124-VO-M	Gray	<--->	Double, die-cast aluminum, 2 free moving momentary actuating pedals, each with 2 N.O. and 2 N.C. slow action contacts
APD1133-VO-M	One Yellow One Gray	<--->	Double, die-cast aluminum, 2 free moving momentary actuating pedals, each with 2 N.O. and 2 N.C. snap action contacts
APD1134-VO-M	One Yellow One Gray	<--->	Double, die-cast aluminum, 2 free moving momentary actuating pedals, each with 2 N.O. and 2 N.C. slow action contacts
APD1213-VO-M	Yellow	<--->	Double, die-cast aluminum, 2 safety anti-trip momentary actuating pedals, each with 2 N.O. and 2 N.C. snap action contacts
APD1214-VO-M	Yellow	<--->	Double, die-cast aluminum, 2 safety anti-trip momentary actuating pedals, each with 2 N.O. and 2 N.C. slow action contacts
APD1223-VO-M	Gray	<--->	Double, die-cast aluminum, 2 safety anti-trip momentary actuating pedals, each with 2 N.O. and 2 N.C. snap action contacts
APD1224-VO-M	Gray	<--->	Double, die-cast aluminum, 2 safety anti-trip momentary actuating pedals, each with 2 N.O. and 2 N.C. slow action contacts
APD1233-VO-M	One Yellow One Gray	<--->	Double, die-cast aluminum, 2 safety anti-trip momentary actuating pedals, each with 2 N.O. and 2 N.C. snap action contacts
APD1234-VO-M	One Yellow One Gray	<--->	Double, die-cast aluminum, 2 safety anti-trip momentary actuating pedals, each with 2 N.O. and 2 N.C. slow action contacts



Foot Switches Technical Specifications

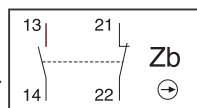
Foot Switch General Technical Data	
Standards	IEC 947-5-1
Certifications - Approvals	UL/CUL file E191072, CE, RoHS
Temperature	Operating (ambient) air temperature: -10 to +70°C (14°F to 158°F) Storage (non-operating) air temperature: -30 to +80°C (-22°F - 176°F)
Environmental	According to IEC 68-2-3 and salty mist according to IEC 68-2-11
Shock (according to IEC 68-2-27 and EN 60 068-2-27)	50g (1/2 sinusoidal shock for 11 ms) no change in contact position
Degree of Protection (according to IEC 529 and EN 60 529)	IP 65
Operating Torque	0.25 Nm (2.2 lb.in)
Torque - Terminal Screw	Recommended: 0.8 Nm (7.0 lb.in); Maximum 0.9 Nm (8.0 lb.in)
Torque - Cover Screw	Recommended: 5.0 Nm (4.3 lb.in); Maximum 0.8 Nm (7.0 lb.in)
Operating Angle	15 Degree
Cable Inlet	Pg 16 x 1.41 knockout
Foot Switch Electrical Data	
Rated Insulation voltage U_i	690 V (according to IEC 947-1 and EN 60-947-1) Degree of pollution 3
Rated Impulse Withstand Voltage U_{imp}	6 kV (according to IEC 947-1 and EN 60 947-1)
Conventional Free Air Thermal Current I_{th} $\Theta < 40$ °C	10 A (according to IEC 947-1)
Short-circuit Protection $U_g < 500$ V AC. - gG (gl) type fuses	10 A
Rated Operational Current	A 600 (according to UL 508 and CSA C22-2 n° 14) Q 600 (according to UL 508 and CSA C22-2 n° 14)
AC-15 (according to IEC 947-5-1)	24V 10 A 120V 6 A 230V 3.1 A 240V 3 A 400V 1.8 A
DC-13 (according to IEC 947-5-1)	24V 2.8 A 125V 0.55 A 250V 0.27 A
Resistance Between Contacts	25 mΩ
Connecting Terminals	M3.5 (±) Philips head #1 with cable clamp
Positive Opening Operation (according to IEC 947-5-1)	Yes. Marked by
Connecting Capacity	(1 or 2 x mm ²) 0.75 to 2.5
Terminal Marking	According to EN 50 013
Life Expectancy	Mechanical: 30 million operations Electrical Operations: Utilization categories AC-15 and DC-13 (Load factor of 0.5 according to curves)

Wiring

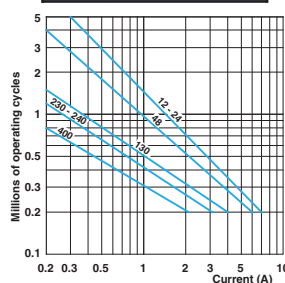
Snap-action contact: A contact element in which the contact motion is independent of the speed of the actuator. This feature ensures reliable electrical performance even in applications involving very slow moving actuators.

Slow-make/slow-break contacts: A contact element in which the contact motion is dependent on the actuator speed.

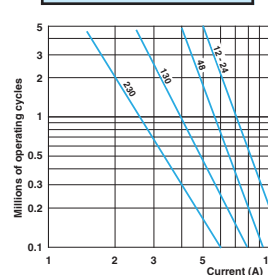
Snap Action or Slow Action
1 N.O. and 1 N.C.



AC-15 - Snap Action



AC-15 - Slow Action



DC-13	Snap Action	Slow Action
Power breaking for a durability of 5 million operating cycles		
Voltage 24 V	9.5 W	12 W
Voltage 48 V	6.8 W	9 W
Voltage 110 V	3.6 W	6 W