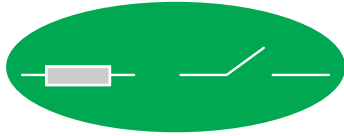
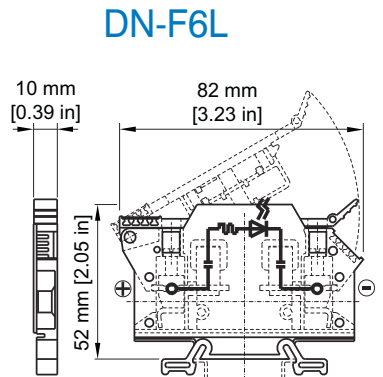
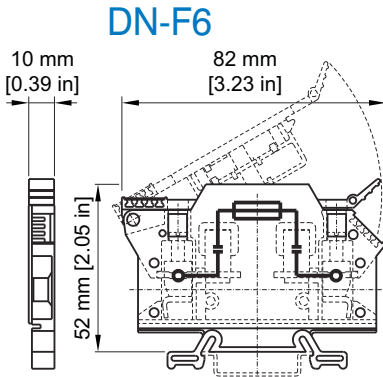
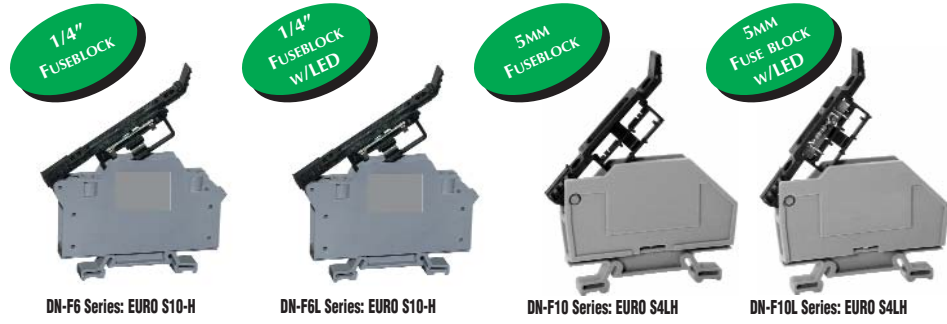


Fuse Terminal Blocks



Fuse blocks are available for 1/4", 5 mm, Class CC and midget size fuses, either with or without a blown fuse LED. LED fuse blocks are polarity sensitive. The hinge side is positive.



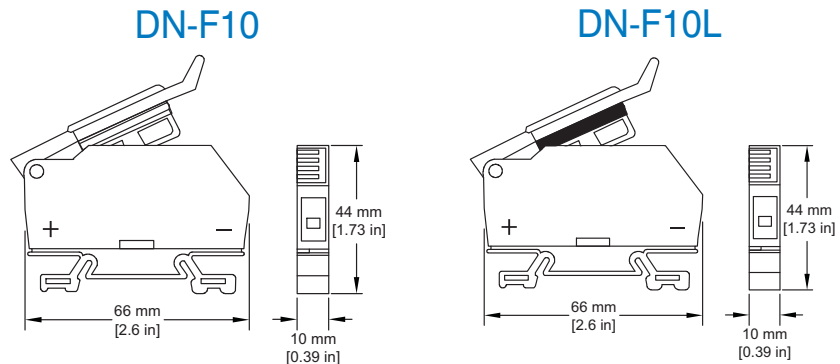
	Part #	Pcs/Pkg	Price/Pkg	Part #	Pcs/Pkg	Price/Pkg	Part #	Pcs/Pkg	Price/Pkg	Part #	Pcs/Pkg	Price/Pkg
Gray Term Blk	DN-F6	25	<-->	-	-	-	DN-F10	50	<-->	-	-	-
12-24VAC/DC*	-	-	-	DN-F6L24	10	<-->	-	-	-	DN-F10L24	10	<-->
110VAC/DC*	-	-	-	DN-F6L110	10	<-->	-	-	-	DN-F10L110	10	<-->
220VAC/DC*	-	-	-	DN-F6L220	10	<-->	-	-	-	DN-F10L220	10	<-->

Fuse Terminal Blocks Specifications												
UL Approval**	600V	30A	20-6 AWG	600V	30A	20-6 AWG	300V	15A	24-10 AWG	300V	15A	24-10 AWG
CSA Approval	600V	30A	18-6 AWG	600V	30A	18-6 AWG	300V	8A	18-12 AWG	300V	8A	18-12 AWG
VDE Approval	750V	8A	-	750V	8A	-	500V	8A	4mm ²	500V	8A	4mm ²
CE Conformity	CE 23/20, CE 23/21			CE 23/20, CE 23/21			CE 23/20, CE 23/21			CE 23/20, CE 23/21		
Agency File#	E179129, LR84816			E179129, LR84816			E179129, LR84816			E179129, LR84816		
Wire Strip Length	0.47" (12mm)			0.47" (12mm)			0.39" (10mm)			0.39" (10mm)		
Tightening Torque	18.0 lb-in (2.0Nm)			18.0 lb-in (2.0Nm)			5.5 lb-in (0.6Nm)			5.5 lb-in (0.6Nm)		
Density	30 pcs./ft. (100/m)			30 pcs./ft. (100/m)			30 pcs./ft. (100/m)			30 pcs./ft. (100/m)		
Fuse Size (not supplied)	1 1/4" X 1/4"			1 1/4" X 1/4"			5x20mm-5x25mm			5x20mm-5x25mm		
Indicator Type	Non-indicating			LED blown fuse indicator			Non-indicating			LED blown fuse indicator		
Operating Temperature	Ambient air temperature: -13°F to 104°F (-25°C to 40°C) Relative humidity: 50% max at 104°F (40°C); 90% max at 68°F (20°C)											
Notes:	* Working voltage ** For copper wire only											

Accessories			
	Part#	Pcs/Pkg	Price/Pkg
35 mm DIN Rail	Part No. DN-R35S1 (7.5 mm) or DN-R35HS1 (15 mm)		various
End Bracket	DN-EB35	50	<-->
	DN-EB35MN	20	<-->
	DN-EB35-A	50	<-->
	DN-QEB35	50	<-->
End Cover	Included	-	-
Marking Tags	DN-L*/DN-LT** series	500/100	various
Angled Support Bracket	DN-ASB1	50	<-->
Notes:	* On lever arm ** On Terminal body		

Note: DN-F6 series fuse holders will accommodate the following AutomationDirect fuses: ABC, AGC, MDA and MDL.

DN-F10 series fuse holders will accommodate the following AutomationDirect fuses: GMA, GMC, S500, and S506.



For more information on accessories, see the "DINnectors Accessories" section of this chapter.