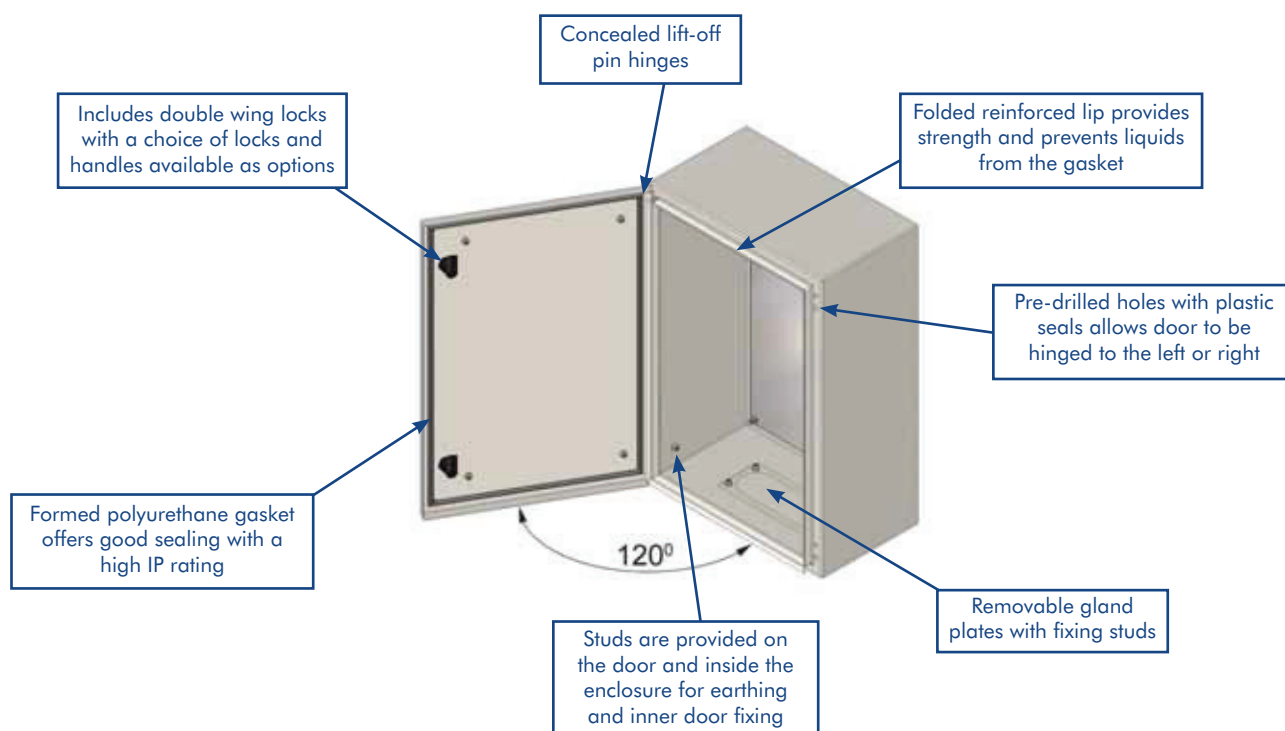


# Mild Steel Enclosures

## FEATURES:

- Material:** Mild Steel
- Thickness:**
- |        |                                          |
|--------|------------------------------------------|
| 1mm:   | 200w x 200h x 150d to 400w x 300h x 200d |
| 1.2mm: | 400w x 400h x 150d to 400w x 600h x 250d |
| 1.5mm: | 400w x 700h x 200d and above             |
- Mounting Plate:** 2mm Alu-zinc. Included with supply. Sizes above 800mm height have folded edges for added strength.
- Construction:** Fully welded. The front lip of the enclosure is folded to provide rigidity and forms a gutter to keep liquids from the gasket. Four wall mounting holes on the back panel of the enclosure are provided with plastic plugs that protect the body when the enclosure is placed on its back.
- Door:** Folded edges provide rigidity to the door. Doors open up to 120°, can be hinged right or left and can be easily removed with lift-off type spring pin hinges. The gasket is continuous formed polyurethane which provides excellent sealing and a high IP rating over a very long life. Doors are provided with standard double wing locks. A choice of locks and handles are available as options.
- Gland Plates:** Gland plates are provided with gaskets and fixing studs. The size and number of gland plates depends on the enclosure size.
- Finish:** Epoxy polyester powder coated with a textured finish.
- Rating & Approvals:** Rated IP65, UL & CSA approved.





## Mild Steel Enclosures - Selection

### Mild Steel Enclosures

**Type -** Wall mounting  
**Colour -** Grey RAL7032  
 Orange RAL2000  
 Mounting plate Alu-zinc finish



Lock options on page 10.

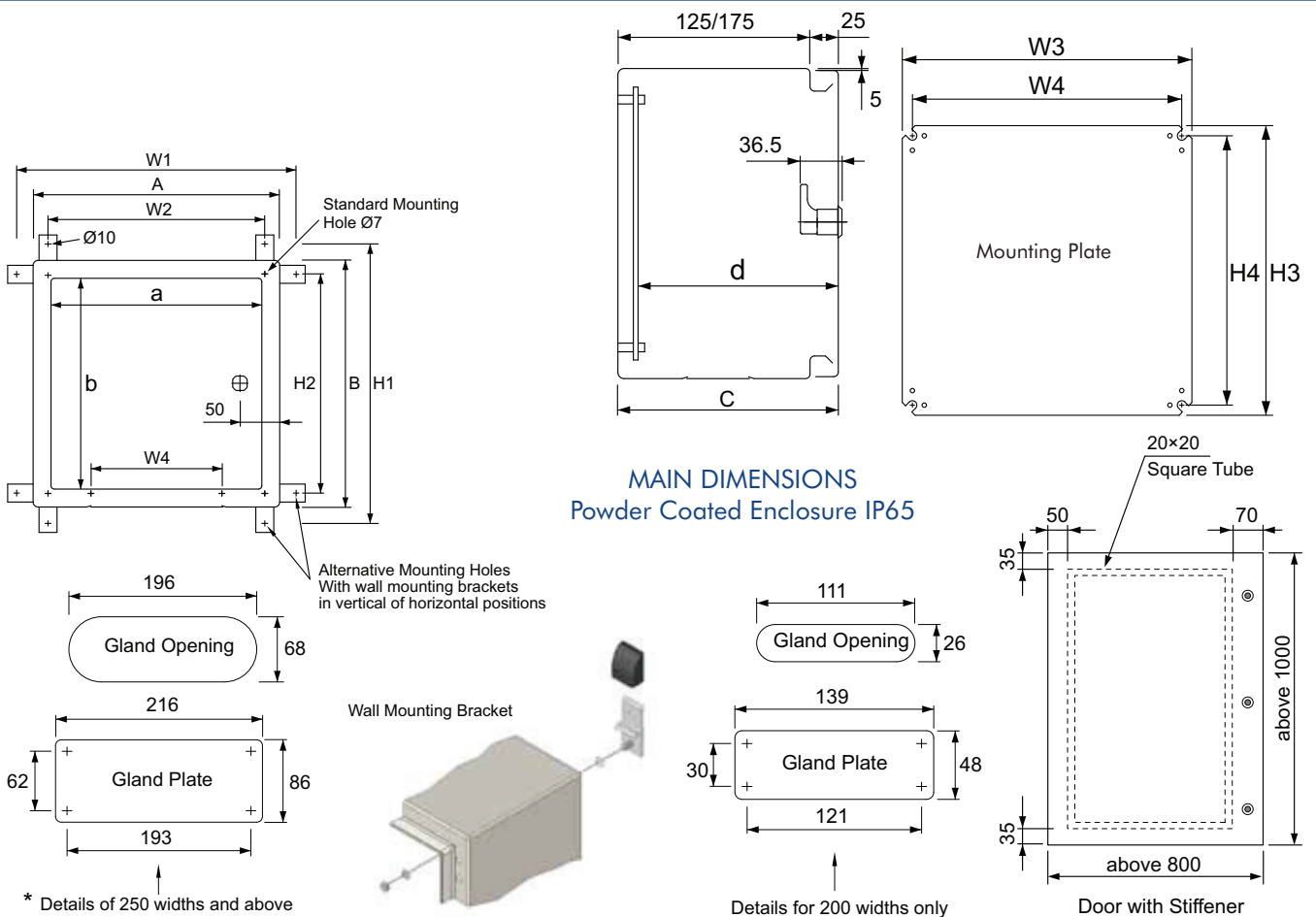
### GREY

Dimensions (mm) W x H x D	Locks	No. of Gland Plates	Weight kg	Part No. Grey
200 x 200 x 150	1	1	2.91	BM20215G
200 x 300 x 150	1	1	3.97	BM20315G
250 x 300 x 150	1	1	4.92	BM25315G
300 x 300 x 150	1	1	5.63	BM30315G
300 x 300 x 200	1	1	6.24	BM30320G
300 x 400 x 150	2	1	7.06	BM30415G
300 x 400 x 200	2	1	7.77	BM30420G
400 x 300 x 150	1	1	7.06	BM40315G
400 x 300 x 200	1	1	7.77	BM40320G
400 x 400 x 150	2	1	8.86	BM40415G
400 x 400 x 200	2	1	9.67	BM40420G
400 x 500 x 150	2	1	10.66	BM40515G
400 x 500 x 200	2	1	11.57	BM40520G
400 x 500 x 250	2	1	13.77	BM40525G
400 x 600 x 200	2	1	15.87	BM40620G
400 x 600 x 250	2	1	17.13	BM40625G
400 x 600 x 300	2	1	17.48	BM40630G
500 x 500 x 200	2	1	18.52	BM50520G
500 x 600 x 200	2	1	18.94	BM50620G
500 x 700 x 200	2	1	21.59	BM50720G
500 x 700 x 250	2	1	23.11	BM50725G
600 x 400 x 200	2	2	16.18	BM60420G
600 x 400 x 300	2	2	18.71	BM60430G
600 x 600 x 200	2	2	22.32	BM60620G
600 x 600 x 300	2	2	25.37	BM60630G
600 x 700 x 200	2	2	25.49	BM60720G
600 x 800 x 200	3	2	28.57	BM60820G
600 x 800 x 250	3	2	30.35	BM60825G
600 x 800 x 300	3	2	32.13	BM60830G
600 x 1000 x 200	3	2	34.75	BM601020G
600 x 1200 x 200	3	2	40.92	BM601220G
600 x 1200 x 300	3	2	42.52	BM601230G
800 x 800 x 300	3	2	46.20	BM80830G
800 x 1000 x 200	3	2	44.45	BM801020G
800 x 1000 x 250	3	2	46.73	BM801025G
800 x 1000 x 300	3	2	49.02	BM801030G
800 x 1200 x 250	3	2	48.70	BM801225G
800 x 1200 x 300	3	2	51.08	BM801230G
1000 x 1000 x 300	3	3	53.30	BM101030G
1000 x 1200 x 300	3	3	61.90	BM101230G
1000 x 1200 x 400	3	3	65.70	BM101240G

### ORANGE

Dimensions (mm) W x H x D	Locks	No. of Gland Plates	Weight kg	Part No. Orange
200 x 300 x 150	1	1	3.97	BM20315A
400 x 400 x 200	2	1	9.67	BM40420A
400 x 600 x 200	2	1	15.87	BM40620A
500 x 700 x 200	2	1	21.59	BM50720A
600 x 400 x 200	2	2	16.18	BM60420A
600 x 400 x 300	2	2	18.71	BM60430A
600 x 600 x 200	2	2	22.32	BM60620A
600 x 600 x 300	2	2	25.37	BM60630A
600 x 800 x 200	3	2	28.57	BM60820A
600 x 800 x 300	3	2	32.13	BM60830A
600 x 1000 x 200	3	2	34.75	BM601020A
600 x 1000 x 300	3	2	38.81	BM601030A
600 x 1200 x 200	3	2	40.92	BM601220A
800 x 800 x 300	3	2	46.20	BM80830A
800 x 1000 x 200	3	2	44.45	BM801020A
800 x 1000 x 300	3	2	49.02	BM801030A
800 x 1200 x 300	3	2	51.08	BM801230A

# Mild Steel Enclosures - Dimensions



OVERALL SIZE (mm)			OPENING DEPTH (mm)			MOUNTING HOLE POSITIONS (mm)				MOUNTING PLATE HOLE SIZE (mm)				Part No.
A	B	C	a	b	d	W1	W2	H1	H2	W3	H3	W4	H4	
200	200	150	150	150	135	240	160	240	160	148	148	125	125	BM20215G
200	300	150	150	250	135	240	160	340	260	148	248	125	225	BM20315G/A
250	300	150	200	250	135	290	210	340	260	198	248	175	225	BM25315G
300	300	150	250	250	135	340	260	340	260	248	248	225	225	BM30315G
300	300	200	250	250	185	340	260	340	260	248	248	225	225	BM30320G
300	400	150	250	350	135	340	260	440	360	248	348	225	325	BM30415G
300	400	200	250	350	185	340	260	440	360	248	348	225	325	BM30420G
400	300	150	350	250	135	440	360	340	260	348	248	325	225	BM40315G
400	300	200	350	250	185	440	360	340	260	348	248	325	225	BM40320G
400	400	150	350	350	135	440	360	440	360	348	348	325	325	BM40415G
400	400	200	350	350	185	440	360	440	360	348	348	325	325	BM40420G/A
400	500	150	350	450	135	440	360	540	460	348	448	325	425	BM40515G
400	500	200	350	450	185	440	360	540	460	348	448	325	425	BM40520G
400	500	250	350	450	235	440	360	540	460	348	448	325	425	BM40525G
400	600	200	350	550	185	440	360	640	560	348	548	325	525	BM40620G/A
400	600	250	350	550	235	440	360	640	560	348	548	325	525	BM40625G
400	600	300	350	550	285	440	360	640	560	348	548	325	525	BM40630G
500	500	200	450	450	185	540	460	640	560	448	548	425	525	BM50520G
500	600	200	450	550	185	540	460	640	560	448	548	425	525	BM50620G
500	700	200	450	650	185	540	460	740	660	448	648	425	625	BM50720G/A
500	700	250	450	650	235	540	460	740	660	448	648	425	625	BM50725G
600	400	200	550	350	185	640	560	440	360	548	348	525	325	BM60420G/A
600	400	300	550	350	285	640	560	440	360	548	348	525	325	BM60430G/A
600	600	200	550	550	185	640	560	640	560	548	548	525	525	BM60620G/A
600	600	300	550	550	285	640	560	640	560	548	548	525	525	BM60630G/A
600	700	200	550	650	185	640	560	740	660	548	648	525	625	BM60720A
600	800	200	550	750	185	640	560	840	760	548	748	525	725	BM60820G/A
600	800	250	550	750	235	640	560	840	760	548	748	525	725	BM608250G
600	800	300	550	750	285	640	560	840	760	548	748	525	725	BM60830G/A
600	1000	200	550	950	185	640	560	1040	960	548	948	525	925	BM601020G/A
600	1000	300	550	950	285	640	560	1040	960	548	948	525	925	BM601030A
600	1200	200	550	1150	185	640	560	1240	1160	548	1148	525	1125	BM601220G/A
800	800	300	750	750	285	840	760	840	760	748	748	725	725	BM80830G/A
800	1000	200	750	950	185	840	760	1040	960	748	948	725	925	BM801020G/A
800	1000	250	750	950	235	840	760	1040	960	748	948	725	925	BM801025G
800	1000	300	750	950	285	840	760	1040	960	748	948	725	925	BM801030G/A
1000	1000	300	950	950	285	1040	960	1040	960	948	948	925	925	BM101030G
1000	1200	300	950	1150	285	1040	960	1240	1160	948	1148	925	1125	BM101230G
1000	1200	400	950	1150	385	1040	960	1240	1160	948	1148	925	1125	BM101240G
800	1200	250	750	1150	235	840	760	1240	1160	748	1148	725	1125	BM801225G
800	1200	300	550	1150	285	640	560	1240	1160	548	1148	525	1125	BM601230G/A
800	1200	300	750	1150	285	840	760	1240	1160	748	1148	725	1125	BM801230G/A



## Mild Steel Enclosures - Accessories

### Internal Doors

**Thickness** - 1.5mm

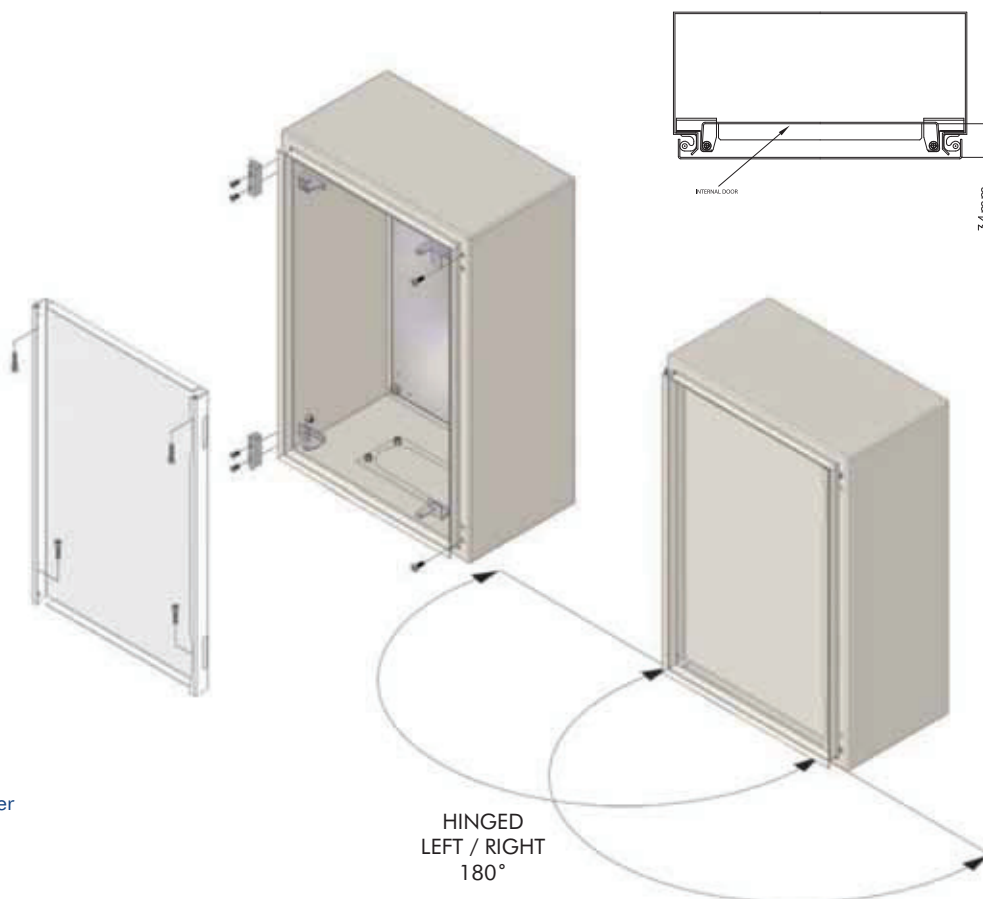
**Colour** - White RAL9010

Internal doors can be hinged left or right and are supplied complete with fixing brackets.

### INTERNAL DOORS

Dimensions (mm)	Weight	Part No.
W x H	kg	
400 x 400	2.18	<b>BID44</b>
400 x 500	2.74	<b>BID45</b>
400 x 600	3.30	<b>BID46</b>
600 x 400	3.19	<b>BID64</b>
600 x 600	4.85	<b>BID66</b>
600 x 800	6.51	<b>BID68</b>
600 x 1000	8.17	<b>BID610</b>
600 x 1200	9.83	<b>BID612</b>
800 x 1000	10.08	<b>BID810</b>
800 x 1200	11.53	<b>BID812</b>

### FITTING INSTRUCTIONS



### Tools

- 1 x 3mm Allen key
- 1 x 4mm Allen key
- 1 x Phillips head driver
- 1 x 8mm spanner

### Step 1

Remove the door by pulling the pin on the hinge.

Undo one fixing screw (the ones on the extreme top and bottom) on each hinge using the 3mm allen head driver and the 8mm spanner. Fit 2 of the escutcheon door mounting brackets at the top and bottom under the hinges. Fix the 2 hinges screws directly to the brackets.

### Step 2

Remove 2 of the 4 plastic plugs (the ones on the extreme top and bottom) on lock side of enclosure. Fit the 2 remaining escutcheon door mounting brackets using the Phillips head screws.

### Step 3

Place the escutcheon door in position. Ensure to place the side with the slots for the lock cams towards the lock side of the enclosure. Fit the 4mm socket head screws on the hinge side first and make sure that the door swings freely. The door can be held in place by fixing the remaining 2 socket head screws on the lock side.

# Mild Steel Enclosures - Accessories

## Combi Rails

Combi Rails are needed when there is a need to mount DIN Inserts and Blank Front Plates within enclosures.

**Thickness** - 1.5mm



BCR46

## Steel DIN Rail Inserts

**Thickness** - DIN Plate 1.5mm  
Vertical Rails 3mm

**Colour** - DIN Plate: White RAL9010

Steel DIN Rail inserts are supplied complete with fixing brackets and DIN Rail and are mounted on Combi Rails within the enclosure.



DINI66

## Steel Blank Front Plates

**Thickness** - 1.5mm

**Colour** - White RAL9010

Steel blank front plates are supplied complete with fixing brackets and are mounted on Combi Rails within the enclosure.



BLFP30472

## COMBI RAILS

Dimensions (mm) W x H	Weight kg	Part No.
400 x 400	1.06	<b>BCR44</b>
400 x 600	1.35	<b>BCR46</b>
600 x 400	1.35	<b>BCR64</b>
600 x 600	1.63	<b>BCR66</b>
600 x 800	1.92	<b>BCR68</b>
600 x 1000	2.20	<b>BCR610</b>

## STEEL DIN RAIL INSERTS

Dimensions (mm) W x H	Rows + Units	Weight kg	Part No.
400 x 400	2 x 18	3.19	<b>DINI44</b>
400 x 600	4 x 18	5.42	<b>DINI46</b>
600 x 400	2 x 29	4.10	<b>DINI64</b>
600 x 600	4 x 29	7.83	<b>DINI66</b>
600 x 800	6 x 29	12.40	<b>DINI68</b>
600 x 1000	7 x 29	18.05	<b>DINI610</b>

Note: Order combi rails separately.

## STEEL BLANK FRONT PLATES

Dimensions (mm) W x H	Weight kg	Part No.
400 x 400	2.01	<b>BLFP30372</b>
400 x 600	3.04	<b>BLFP30392</b>
600 x 400	3.04	<b>BLFP30452</b>
600 x 600	4.61	<b>BLFP30472</b>
600 x 800	6.18	<b>BLFP30492</b>
600 x 1000	6.72	<b>BLFP30502</b>

Note: Order combi rails separately.



## Mild Steel Enclosures - Accessories

### Glass Doors

**Glass** - 4mm tempered  
**Rating** - IP65



BGD46

### Cable Door Rail Kits

**Colour** - White RAL9010

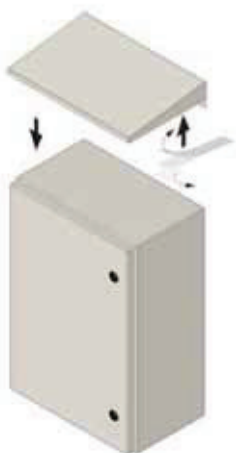
Cable door rail kits consist of 2 vertical rails that are fixed to studs on the inside of the door plus a cable holder that can be mounted horizontally across the rails. Additional cable holders can be ordered separately.



CDK52740-K

### Enclosure Canopies

All fixing accessories are included in the supply.



ELS52060

### GLASS DOORS

Dimensions W x H (mm)	Viewing W x H (mm)	Weight kg	Part No.
<b>Grey</b>			
400 x 400	200 x 200	2.01	<b>BGD44G</b>
400 x 600	200 x 400	3.04	<b>BGD46G</b>
600 x 400	400 x 200	3.04	<b>BGD64G</b>
600 x 600	400 x 400	3.04	<b>BGD66G</b>
600 x 800	400 x 600	4.61	<b>BGD68G</b>
600 x 1000	400 x 800	6.18	<b>BGD610G</b>
600 x 1200	400 x 1000	6.72	<b>BGD612G</b>
800 x 800	600 x 600	4.61	<b>BGD88G</b>
800 x 1000	600 x 800	6.18	<b>BGD810G</b>
800 x 1200	600 x 1000	6.72	<b>BGD812G</b>
<b>Orange</b>			
400 x 400	200 x 200	2.01	<b>BGD44A</b>
400 x 600	200 x 400	3.04	<b>BGD46A</b>
600 x 400	400 x 200	3.04	<b>BGD64A</b>
600 x 600	400 x 400	3.04	<b>BGD66A</b>
600 x 800	400 x 600	4.61	<b>BGD68A</b>
600 x 1000	400 x 800	6.18	<b>BGD610A</b>
600 x 1200	400 x 1000	6.72	<b>BGD612A</b>
800 x 1000	600 x 800	6.18	<b>BGD810A</b>
800 x 1200	600 x 1000	6.72	<b>BGD812A</b>

### CABLE DOOR RAIL KITS

Item Description W x H (mm)	Part No.
400 x 600 Cable Door Rail Kit	<b>CDK52740-K</b>
600 x 600 Cable Door Rail Kit	<b>CDK52750-K</b>
600 x 800 Cable Door Rail Kit	<b>CDK52760-K</b>
600 x 1000 Cable Door Rail Kit	<b>CDK52780-K</b>
600 x 1200 Cable Door Rail Kit	<b>CDK52790-K</b>
800 x 800 Cable Door Rail Kit	<b>CDK52800-K</b>
800 x 1000 Cable Door Rail Kit	<b>CDK52810-K</b>
Cable Holder 400mm	<b>CH14330</b>
Cable Holder 600mm	<b>CH14340</b>
Cable Holder 800mm	<b>CH14350</b>

### ENCLOSURE CANOPIES

Dimensions W x D (mm)	Part No.
300 x 150	<b>ELS52000</b>
400 x 150	<b>ELS52010</b>
600 x 150	<b>ELS52020</b>
300 x 200	<b>ELS52050</b>
400 x 200	<b>ELS52060</b>
600 x 200	<b>ELS52070</b>
600 x 200	Orange <b>ELS52070A</b>
800 x 200	<b>ELS52080</b>
800 x 200	Orange <b>ELS52080A</b>

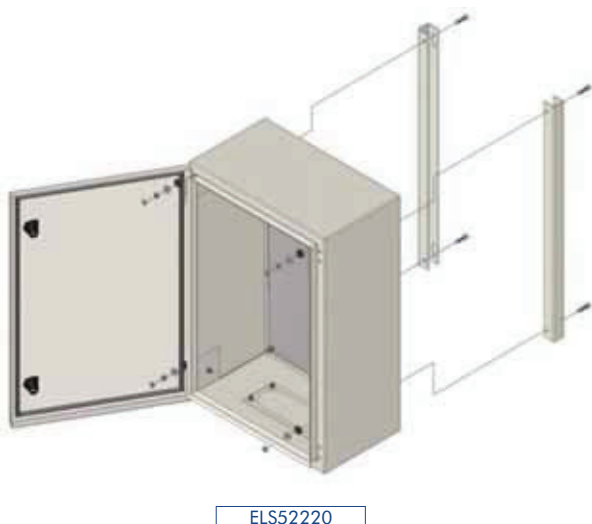
# Mild Steel Enclosures - Accessories

METAL ENCLOSURES



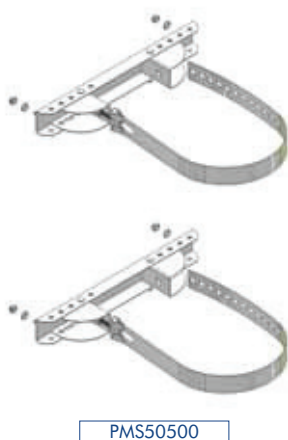
## WALL MOUNTING BRACKETS

Item Description	Part No.
Wall Mounting Bracket set	<b>BWB50594</b>
Wall Mounting Bracket cover	<b>WBC50595</b>
Wall Mounting Bracket for Canopy (ea)	<b>ELS06770</b>



## STAND OFF WALL MOUNTING BRACKETS

Item Description	Part No.
Stand Off Wall Mounting Bracket set 400H	<b>ELS52220</b>
Stand Off Wall Mounting Bracket set 600H	<b>ELS52240</b>
Stand Off Wall Mounting Bracket set 800H	<b>ELS52260</b>
Stand Off Wall Mounting Bracket set 1000H	<b>ELS52270</b>



## ENCLOSURE POLE MOUNTING SYSTEM

Item Description	Part No.
Pole Mounting System 400W*	<b>PMS50500</b>
Pole Mounting System 500W*	<b>PMS50505</b>
Pole Mounting System 600W*	<b>PMS50510</b>
Pole Mounting System 800W*	<b>PMS50515</b>

\* Suits circular poles Ø 150 - 300mm & square poles 120 x 120 - 250 x 250mm.



## Mild Steel Enclosures - Accessories

### LOCKS, SEALS & ACCESSORIES



Item Description	Part No.
Chrome T Handle Lock - Keyless	<b>THLC12130</b>
Chrome T Handle Lock - Keyed Alike	<b>THLC12131</b>
Chrome T Handle Profile 92268	<b>T-HANDLE-92268</b>
Chrome T Handle Profile CL001	<b>T-HANDLE-CL001</b>
Keylock Steel Flush	<b>KELS12140</b>
Steel Cam for above	<b>METALCAM-H-24</b>

Keylock Profile 92268	<b>KEYLOCK-92268</b>
Keylock Profile CL001	<b>KEYLOCK-CL001</b>
Steel Cam for above	<b>METALCAM-BOX</b>

IEC (double wing) Lock Plastic	<b>ELS05775</b>
Steel IEC lock	<b>STL33030</b>
Steel Cam for above	<b>METALCAM-H-24</b>

Plastic IEC key	<b>ELS05783</b>
-----------------	-----------------

Knob Lock Plastic	<b>KL12120</b>
-------------------	----------------

Padlock Kit - stainless steel	<b>BOCOV52303</b>
-------------------------------	-------------------

Door Lock Seal System Plastic	<b>DSES30855</b>
-------------------------------	------------------

Door replacement seal 1m length	<b>ELS05989</b>
---------------------------------	-----------------

### VENTILATION PLATES & GLAND PLATES



Item Description W x H (mm)	Part No.
Louvred Plate with studs	
Grey 216 x 86mm	<b>LGWS28550</b>
Orange 216 x 86mm	<b>LGWS28551A</b>
Grey 139 x 48mm	<b>LGWS28540</b>
Orange 139 x 48mm	<b>LGWS28541A</b>

Steel Mesh 216 x 86mm	<b>ELS05931</b>
Steel Mesh 139 x 48mm	<b>ELS05932</b>

Gland Plate Grey 216 x 86mm	<b>SGSG51000</b>
Gland Plate Orange 216 x 86mm	<b>SGSG51001A</b>