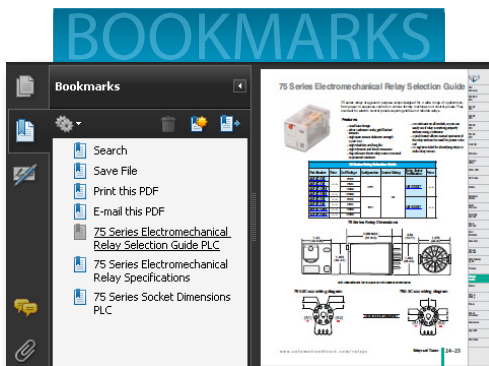


# AUTOMATIONDIRECT.COM

## VIEWMARQ<sup>®</sup> LED MESSAGE DISPLAY



In this interactive PDF you can:

- Use bookmarks to navigate by product category
- Use bookmarks to save, search, print or e-mail the catalog section
- Click on part #s to link directly to our online store for current pricing, specs, stocking information and more

# Industrial Message Display

Up-to-date price list:  
[www.automationdirect.com/pricelist](http://www.automationdirect.com/pricelist)

FREE Technical Support:  
[www.automationdirect.com/support](http://www.automationdirect.com/support)

FREE Videos:  
[www.automationdirect.com/videos](http://www.automationdirect.com/videos)

FREE Documentation:  
[www.automationdirect.com/documentation](http://www.automationdirect.com/documentation)

FREE CAD drawings:  
[www.automationdirect.com/cad](http://www.automationdirect.com/cad)

Company Information

Control Systems Overview

CLICK PLC

Do-More PLCs Overview

Do-More H2 PLC

Do-More T1H PLC

DirectLOGIC PLCs Overview

DirectLOGIC DL05/06

DirectLOGIC DL105

DirectLOGIC DL205

DirectLOGIC DL305

DirectLOGIC DL405

Productivity Controller Overview

Productivity 2000

Productivity 3000

Universal Field I/O

Software

C-More HMI

C-More Micro HMI

ViewMarq Industrial Marquees

Other HMI

Communications

Appendix Book 1

Terms and Conditions

# VIEWMARQ<sup>®</sup>

## LED MESSAGE DISPLAY

starting at  
**\$435.00**

### Overview

ViewMarq is an Industrial LED Message Display that utilizes the latest LED and communications technologies to help communicate important information. ViewMarq can display real-time factory floor data, with messages controlled from a PLC or any other device that uses the supported protocols. Embedded data support allows real-time production data from the controller

to be contained within each message. The free configuration software allows you to create pre-formatted message strings that can be loaded into the PLC. This data can then be displayed in real-time messages that help to keep your facility productive and informed.

### Features

- **UL508, CE, RoHS**
- **NEMA 4 (Wash Down)**
- **NEMA 12 (Dust, Oil, Water, and Dirt)**

### Message Control

The ViewMarq message displays utilize both serial and Ethernet communications and can be connected to a PLC or PC or any device capable of serial ASCII master, Modbus RTU, or Modbus TCP communications. Messages can be controlled by any of the following methods:

- **ASCII Input Strings through the RS232 or RS485 port**
- **Modbus RTU Messages through the RS232 or RS485 port**
- **Modbus TCP Messages through the Ethernet port**

### Features

- One-, two-, or four-line displays
- **Store and trigger up to 200 messages**
- Scrolling messages
- Blinking text and messages
- Display embedded PLC string and numeric variables
- Tri-Color LED (Red, Green, Amber)
- Built-in Ethernet port; RS-232, and RS-485 serial ports
- Free, easy-to-use configuration software package
- Low power consumption, high-efficiency switch mode power supply reduces cost of ownership
- Wall mount / cabinet top mount or chain mount - brackets included
- All the configuration parameters are set through software for ease of use. (No DIP switches.)
- Customer configured messages can be sent via an ASCII serial string, Modbus RTU or Modbus TCP protocols
- Serial RS232/485 and Ethernet Modbus TCP communications can be used at the same time



Communicate using:  
• ASCII  
• Modbus RTU  
• Modbus TCP



# FREE Configuration Software!

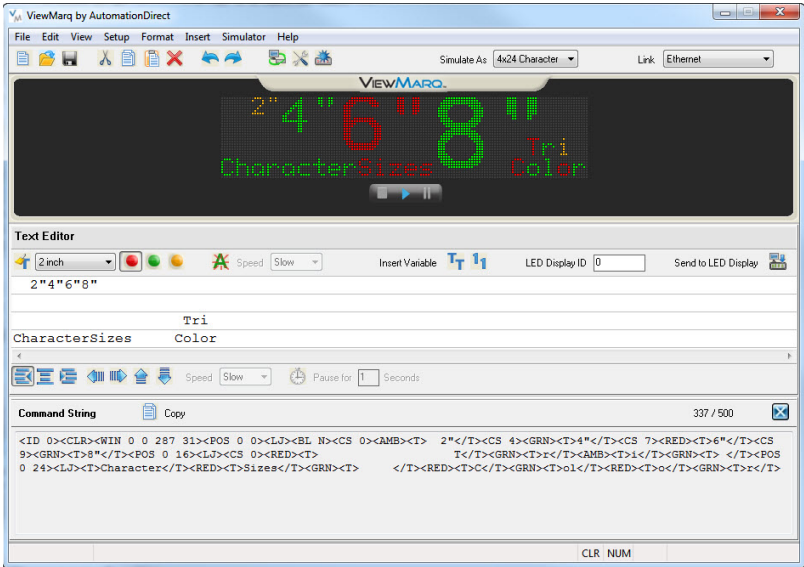
ViewMarq Configuration Software is designed to help you create messages with ease. Simply type your message in the text editor and immediately see the results in the included simulator. Change character colors and sizes or add features such as scrolling and blinking. This software utility gives you multiple functionality, allowing you to:

- Create and preview messages on your PC
- Send messages to the **ViewMarq** LED display
- Configure the **ViewMarq** to communicate with a PLC
- Create ASCII string commands that may be used in the PLC instructions to control the **ViewMarq**. The software generates the required ASCII command string from your message and then allows you to copy and paste the string into your ladder logic program in your PLC.

## Download the Software

The ViewMarq Configuration Software can be downloaded at no charge from the AutomationDirect Web site, or a CD version may be purchased for \$10 by ordering p/n MD-PGMSW. Help files are included in the software.

**ViewMarq Configuration Software**  
**Part Number: MD-PGMSW**



## Built-in Message Simulator

- Displays formatted message on your PC as you type.
- Test all of your messages before downloading.
- Saving time saves you money!

## Simple Message Creation

- Message creation and editing is made simple and fast with intuitive software. Easy-to-find tools help change the character color, add blinking, and insert embedded variables.

## Command String Viewer

- Allows you to copy and paste the command string needed for your PLC ladder code.

## Message Lists

- Create message lists that can be downloaded to the LED Display and triggered by a PLC or by discrete inputs.



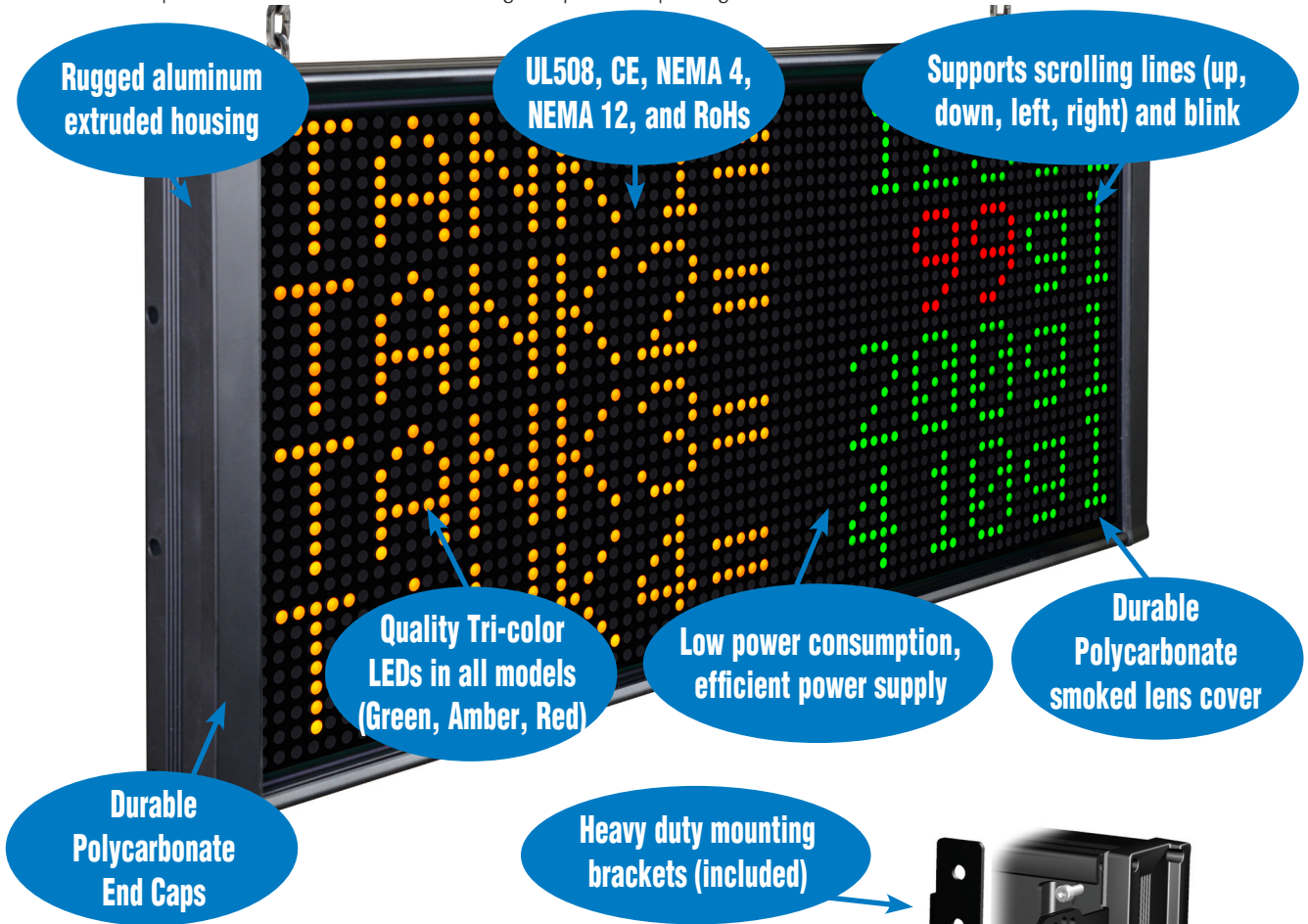
**Requires Windows XP (Service Pack 3), Vista, Windows 7 (32 and 64-bit) or Windows 8 and a serial or Ethernet connection to the ViewMarq Display. Purchase cables separately. (An Ethernet cable comes packaged with each ViewMarq LED message display.)**

# Rugged and Reliable

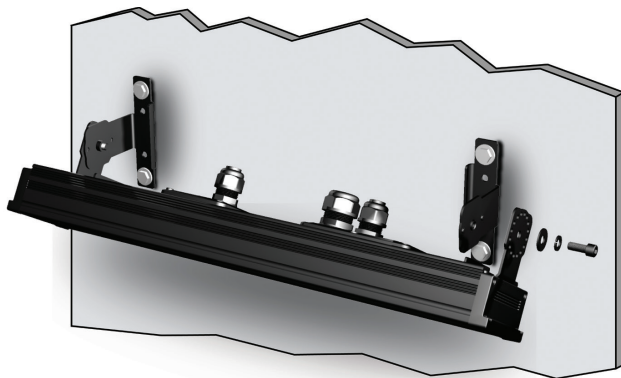
## Rugged Industrial Design

The heavy duty extruded aluminum housing offers a dependable yet attractive display in even the most demanding industrial environments. ViewMarq is one of the few message displays on the market that is NEMA 4 and NEMA 12 rated (indoor only). Access covers with seal-tight cable glands offer reliable, easy installation of power and communication wiring. Adjustable

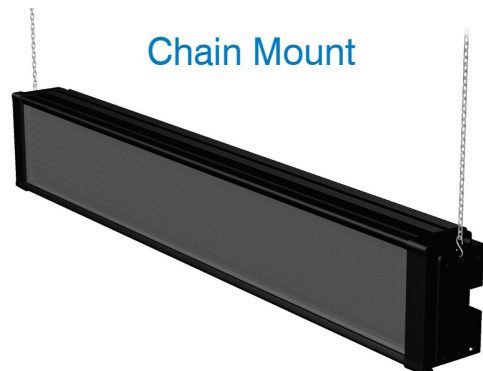
heavy-duty mounting brackets offer secure mounting at various angles or when hung from chains. The unit ships with wall-mount and chain-mount brackets as well as an Ethernet cable to help you get started. The NEMA 4 and NEMA 12 cable gland fittings for communications and power wiring are also included in the package.



### Wall or Ceiling Mount



### Chain Mount



# Choosing the Right Model

## One-Line Displays

- 1-1/4", 2" characters
- Models with 12 or 24 characters per line
- Approximate viewing distance up to 100 ft

MD4-0112T **\$435.00**



MD4-0124T **\$599.00**



## Two-Line Displays

- 1-1/4", 2", 4" characters
- Models with 12 or 24 characters per line
- Approximate viewing distance up to 200 ft

MD4-0212T **\$613.00**



MD4-0224T **\$929.00**



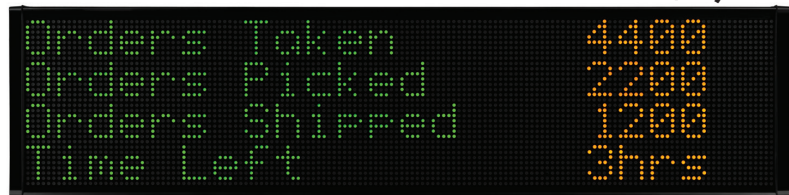
## Four-Line Displays

- 1-1/4", 2", 4", 6", 8" characters
- Models with 12 or 24 characters per line
- Approximate viewing distance up to 400 ft

MD4-0412T **\$916.00**

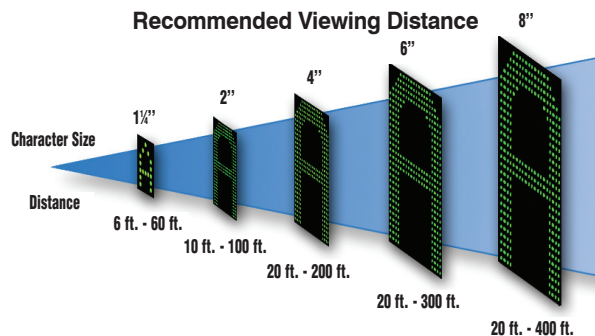
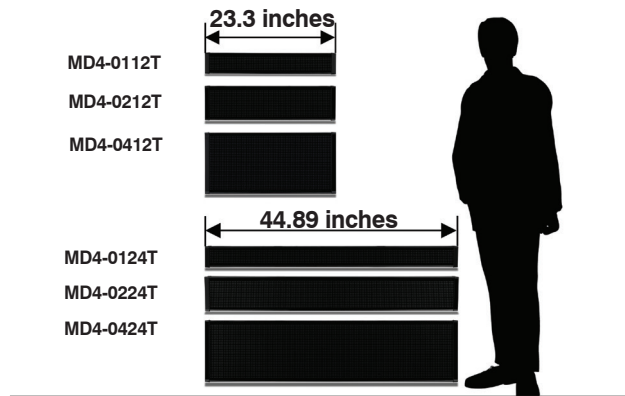


MD4-0424T **\$1,551.00**



Here are the recommended viewing distances based on the character size that can be used:

Character Size	Minimum Recommended Viewing Distance	Maximum Recommended Viewing Distance	Displays with these character sizes (Part Numbers)
1.25 in	6 ft	60 ft	MD4-0112T MD4-0124T MD4-0212T MD4-0224T MD4-0412T MD4-0424T
2 in	10 ft	100 ft	MD4-0112T MD4-0124T MD4-0212T MD4-0224T MD4-0412T MD4-0424T
4 in	20 ft	200 ft	MD4-0212T MD4-0224T MD4-0412T MD4-0424T
6 in	20 ft	300 ft	MD4-0412T MD4-0424T
8 in	20 ft	400 ft	MD4-0412T MD4-0424T



# Other products you might want to consider

## Now simply **CLICK** for analog

The best little PLC keeps getting better

Shown at actual size

**NOW SUPPORTS 8 Analog I/O Modules**

Current    Pressure    Level    Temperature    Variable Speed Control    Flow Control

**CLICK Koyo** C0-00DD1-D

INPUT C0-04AD-1 0-20mA

INPUT C0-04THM J,K,E,R,S,T,B,N,C,mV

OUTPUT C0-04DA-1 4-20mA

**\$29.00 (C0-00AC)**

**\$69.00 (C0-00DD1-D)**

**\$89.00 (C0-04AD-1)**

**\$149.00 (C0-04THM)**

**\$119.00 (C0-04DA-1)**

### Connect to lots of process devices with analog I/O modules for the CLICK PLC

The CLICK PLC now has more ways to help you with simple control applications. Monitor pressure, level, current, even thermocouples and RTDs directly. Perform simple variable control\* with analog outputs connected to devices such as drives. These high-resolution modules offer fast setup (no DIP switches) with software scaling to make your life (and program) easier. Choose from:

- 4-channel, current or voltage in (13-bit) **\$89 each**
- 4-channel, thermocouple or RTD in (16-bit) **\$149 each**
- 4-channel, current or voltage out (12-bit) **\$119 each**
- Combo 4-channel in / 2-channel out, current or voltage **\$149 each**

\* no PID

### Mighty as a stand-alone unit, or expand to 142 total I/O

With CLICK PLCs, you get a lot of application control in a small package. You can replace even just a few relays cost-effectively, but do a whole lot more with the easy-to-understand instruction set.

An 8-input / 6-output base unit with built-in serial ports can stand alone (starting at just \$69), or add any combination of up to 8 discrete and analog I/O modules. Simple!

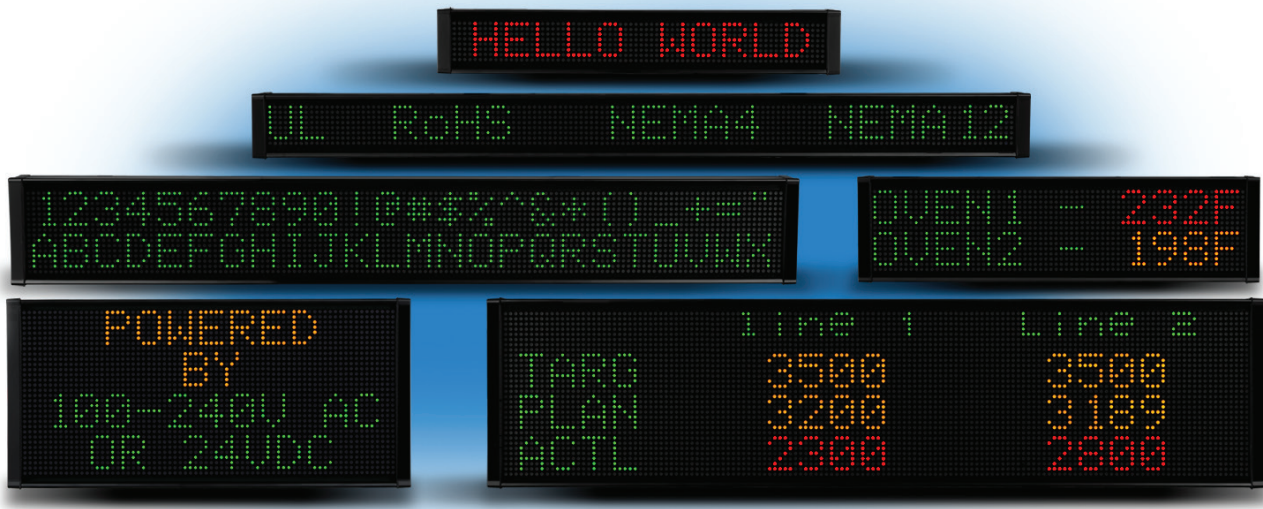
And with FREE programming software, we've made it even easier to give CLICK a try.



Download the free software so you can see just how simple control can be.

Configure, price, and buy at:  
[www.automationdirect.com/click-plc](http://www.automationdirect.com/click-plc)

# ViewMarq Message Displays



## Overview

ViewMarq is an LED Message Display utilizing the latest LED and communications technologies for industry. It utilizes both serial and Ethernet communications. The display can be connected to a PLC or any device capable of sending serial ASCII, Modbus RTU, or Modbus TCP communications. It can accept commands over Modbus and Modbus TCP, or serial ASCII.

## Applications

The ViewMarq is used to display real time factory floor data or to display PLC triggered messages. The message display is controlled by any of the following:

- ASCII input strings through the RS-232 or RS-485 port
- Modbus RTU messages through the RS-232 or RS-485 port
- Modbus TCP messages through the Ethernet port





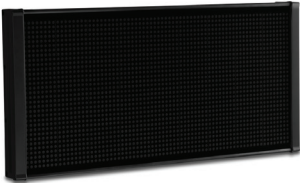
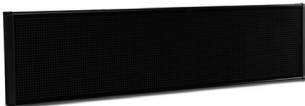
## Features

- Low power consumption, high-efficiency switch mode power supply
- Wall mount / cabinet top mount and chain mount - brackets included
- Free, easy-to-use configuration software package
- The display is fully configurable through the ViewMarq software for ease of use.
- Messages can be sent by an ASCII serial string or through Modbus RTU or Modbus TCP
- Store and trigger up to 200 messages

## Compliances

- UL508, file number E157382
- CE
- NEMA 12 - Indoor use
- NEMA 4 - Indoor use
- RoHS

# ViewMarq Message Displays Selection Guide

ViewMarq Message Displays			
Part Number		Description	Price
MD4-0112T		ViewMarq industrial LED message display, 1 line by 12 characters, tri-color, 2 inch maximum character size. Supports red, amber and green characters, embedded string and numeric variables, scrolling (right, left, up and down). (1) RS-232 port, (1) RS-485 port and (1) 10/100 BaseT Ethernet port for configuration and external message control; supports serial ASCII, Modbus RTU, and Modbus TCP protocols. NEMA 4 / NEMA 12 (Indoor only) extruded aluminum housing. UL 508 listed, CE marked. Includes wall mount and chain mount bracket assemblies, 1/2 and 3/4 inch cable glands for input wiring and one seven foot Ethernet patch cable. Requires configuration software (MD-PGMSW) which can be purchased on CD or downloaded for free.	\$435.00
MD4-0124T		ViewMarq industrial LED message display, 1 line by 24 characters, tri-color, 2 inch maximum character size. Supports red, amber and green characters, embedded string and numeric variables, scrolling (right, left, up and down). (1) RS-232 port, (1) RS-485 port and (1) 10/100 BaseT Ethernet port for configuration and external message control; supports serial ASCII, Modbus RTU, and Modbus TCP protocols. NEMA 4 / NEMA 12 (Indoor only) extruded aluminum housing. UL 508 listed, CE marked. Includes wall mount and chain mount bracket assemblies, 1/2 and 3/4 inch cable glands for input wiring and one seven foot Ethernet patch cable. Requires configuration software (MD-PGMSW) which can be purchased on CD or downloaded for free.	\$599.00
MD4-0212T		ViewMarq industrial LED message display, 2 line by 12 characters, tri-color, 4.75 inch maximum character size. Supports red, amber and green characters, embedded string and numeric variables, scrolling (right, left, up and down). (1) RS-232 port, (1) RS-485 port and (1) 10/100 BaseT Ethernet port for configuration and external message control; supports serial ASCII, Modbus RTU, and Modbus TCP protocols. NEMA 4 / NEMA 12 (Indoor only) extruded aluminum housing. UL 508 listed, CE marked. Includes wall mount and chain mount bracket assemblies, 1/2 and 3/4 inch cable glands for input wiring and one seven foot Ethernet patch cable. Requires configuration software (MD-PGMSW) which can be purchased on CD or downloaded for free.	\$613.00
MD4-0224T		ViewMarq industrial LED message display, 2 line by 24 characters, tri-color, 4.75 inch maximum character size. Supports red, amber and green characters, embedded string and numeric variables, scrolling (right, left, up and down). (1) RS-232 port, (1) RS-485 port and (1) 10/100 BaseT Ethernet port for configuration and external message control; supports serial ASCII, Modbus RTU, and Modbus TCP protocols. NEMA 4 / NEMA 12 (Indoor only) extruded aluminum housing. UL 508 listed, CE marked. Includes wall mount and chain mount bracket assemblies, 1/2 and 3/4 inch cable glands for input wiring and one seven foot Ethernet patch cable. Requires configuration software (MD-PGMSW) which can be purchased on CD or downloaded for free.	\$929.00
MD4-0412T		ViewMarq industrial LED message display, 4 line by 12 characters, tri-color, 9.5 inch maximum character size. Supports red, amber and green characters, embedded string and numeric variables, scrolling (right, left, up and down). (1) RS-232 port, (1) RS-485 port and (1) 10/100 BaseT Ethernet port for configuration and external message control; supports serial ASCII, Modbus RTU, and Modbus TCP protocols. NEMA 4 / NEMA 12 (Indoor only) extruded aluminum housing. UL 508 listed, CE marked. Includes wall mount and chain mount bracket assemblies, 1/2 and 3/4 inch cable glands for input wiring and one seven foot Ethernet patch cable. Requires configuration software (MD-PGMSW) which can be purchased on CD or downloaded for free.	\$916.00
MD4-0424T		ViewMarq industrial LED message display, 4 line by 24 characters, tri-color, 9.5 inch maximum character size. Supports red, amber and green characters, embedded string and numeric variables, scrolling (right, left, up and down). (1) RS-232 port, (1) RS-485 port and (1) 10/100 BaseT Ethernet port for configuration and external message control; supports serial ASCII, Modbus RTU, and Modbus TCP protocols. NEMA 4 / NEMA 12 (Indoor only) extruded aluminum housing. UL 508 listed, CE marked. Includes wall mount and chain mount bracket assemblies, 1/2 and 3/4 inch cable glands for input wiring and one seven foot Ethernet patch cable. Requires configuration software (MD-PGMSW) which can be purchased on CD or downloaded for free.	\$1,551.00



# ViewMarq 1-Line Message Displays

## Description

ViewMarq models MD4-0112T and MD4-0124T are 1-line, tri-color, 2-inch maximum character size LED message displays. Model MD4-0112T is a 1-line x 12 character display. Model MD4-0124T is a 1-line x 24 character display. Each supports red, amber and green characters, embedded string and numeric variables and scrolling (right, left, up and down). There are (1) RS-232 port, (1) RS-485 port and (1) 10/100 BaseT Ethernet port for configuration and external message control. They support serial ASCII, Modbus RTU, and Modbus TCP protocols. The extruded aluminum housing is NEMA 4 / NEMA 12 (Indoor only) rated. They are UL 508 listed and CE marked. Included are wall mount and chain mount bracket assemblies, 1/2 and 3/4 inch cable glands for input wiring and one seven foot Ethernet patch cable. The required configuration software (MD-PGMSW) can be downloaded for free or purchased on CD.

## Features

- Low power consumption, high-efficiency switch mode power supply
- Wall mount / cabinet top mount and chain mount - brackets included.
- Free, easy-to-use configuration software package
- The display is fully configurable through the ViewMarq software for ease of use.
- Messages can be sent by an ASCII serial string or through Modbus RTU or Modbus TCP.
- Serial RS-232/485 and Ethernet Modbus TCP communications can be used at the same time.
- Store and trigger up to 200 messages



**MD4-0112T**

**\$435.00**



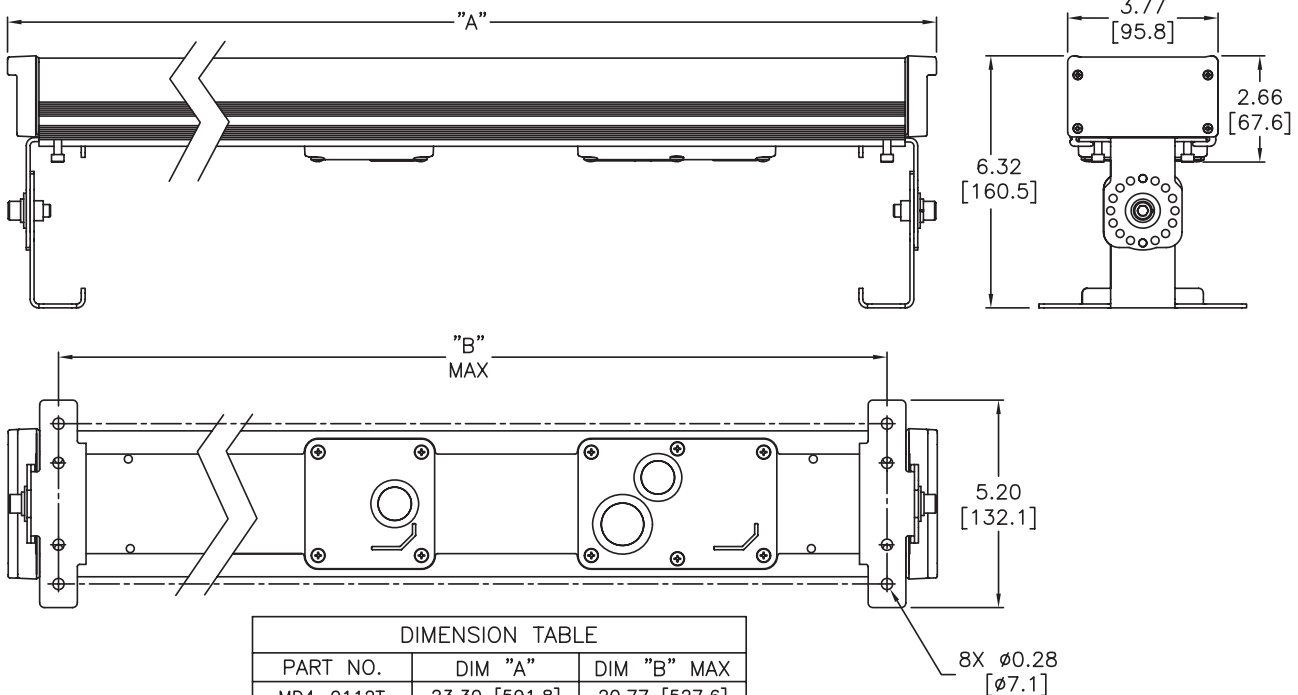
**MD4-0124T**

**\$599.00**



## Dimensions

Units: inches [mm]



DIMENSION TABLE		
PART NO.	DIM "A"	DIM "B" MAX
MD4-0112T	23.30 [591.8]	20.77 [527.6]
MD4-0124T	44.89 [1140.2]	42.38 [1076.5]

# ViewMarq Message Displays Specifications

ViewMarq 1-Line Message Displays Specifications		
Part Number	MD4-0112T	MD4-0124T
<b>Description</b>	1 Line X 12 Characters	1 Line X 24 Characters
<b>Display</b>		
• <b>Type</b>	LED matrix: Tri-color (Green, Red, Amber)	
• <b>LED Life</b>	100,000 hours	
• <b>LED Pitch</b>	0.19 in [5 mm]	
• <b>Center to Center Spacing of each LED</b>	0.27 in [7 mm]	
• <b>Number of Lines</b>	1 (Based on 5 x 7 pixel sized characters)	
• <b>Text Height</b>	1.25 in, 2 in (Depends on character set selected)	
• <b>Character Set</b>	Printable ASCII	
• <b>Approximate Viewing Distance</b>	100 ft	
<b>AC Electrical</b>		
• <b>Input Voltage</b>	100-240 VAC (+10% / -15%), 50 / 60 Hz	
• <b>Maximum Current</b>	0.5A	0.8A
• <b>Power Consumption (MAX)</b>	22W	38W
• <b>Maximum Inrush Current (Cold and Hot)</b>	25A	26A
• <b>Input Fuse Protection (Internal)</b>	Yes (not user replaceable)	
• <b>Output Protection for Overcurrent, Over Voltage and Over Temperature</b>	Yes – Self Resetting	
• <b>Insulation Resistance</b>	> 10 MOhms @ 500 VAC	
<b>DC Electrical</b>		
• <b>Input Voltage</b>	24 VDC (+10% / -15%)	
• <b>Maximum Current</b>	1A	1.5A
• <b>Maximum Inrush Current (Cold and Hot)</b>	3A	4.5A
• <b>Input Fuse Protection (Internal)</b>	Yes (not user replaceable)	
• <b>Reverse Polarity Protection</b>	Yes	
<b>Communication</b>		
• <b>Serial Communications</b>	Serial RS-232, RS-485 both ASCII and Modbus, 2400 – 38.4KB	
• <b>Ethernet Communications</b>	Modbus TCP, 10/100BaseT	
<b>Dimensions / Weight</b>		
• <b>Enclosure Approximate Weight</b>	4.9 lbs [2.2 kg]	9.0 lbs [4.1 kg]
<b>Environmental</b>		
• <b>Storage Temperature</b>	-30 to +85 °C (-22 to +185 °F)	
• <b>Operating Temperature</b>	0 to 60 °C (32 to +140 °F)	
• <b>Humidity</b>	5 – 95% non-condensing	
• <b>Enclosure Ratings</b>	NEMA 12 indoor use only, NEMA 4 indoor use only	
• <b>Vibration</b>	IEC 60068-2-6 (Test Fc)	
• <b>Shock</b>	IEC 60068-2-27 (Test Ea)	
• <b>Noise Immunity</b>	EN61131-2:2007	
• <b>Agency Approvals</b>	UL508 (E157382), NEMA 4, NEMA 12, RoHS, REACH CE (EN61131-2:2007) - Pollution Degree 2, Overvoltage Category II	

# ViewMarq 2-Line Message Displays

## Description

ViewMarq models MD4-0212T and MD4-0224T are 2-line, tri-color, 4.75-inch maximum character size LED message displays. Model MD4-0212T is a 2-line x 12 character display. Model MD4-0224T is a 2-line x 24 character display. Each supports red, amber and green characters, embedded string and numeric variables and scrolling (right, left, up and down). There are (1) RS-232 port, (1) RS-485 port and (1) 10/100 BaseT Ethernet port for configuration and external message control. They support serial ASCII, Modbus RTU, and Modbus TCP protocols. The extruded aluminum housing is NEMA 4 / NEMA 12 (Indoor only) rated. They are UL508 listed and CE marked. Included are wall mount and chain mount bracket assemblies, 1/2 and 3/4 inch cable glands for input wiring and one seven foot Ethernet patch cable. The required configuration software (MD-PGMSW) can be downloaded for free or purchased on CD.

## Features

- Low power consumption, high-efficiency switch mode power supply
- Wall mount / cabinet top mount and chain mount - brackets included.
- Free, easy-to-use configuration software package
- The display is fully configurable through the ViewMarq software for ease of use.
- Messages can be sent by an ASCII serial string or through Modbus RTU or Modbus TCP.
- Serial RS-232/485 and Ethernet Modbus TCP communications can be used at the same time.
- Store and trigger up to 200 messages



**MD4-0212T**

**\$613.00**



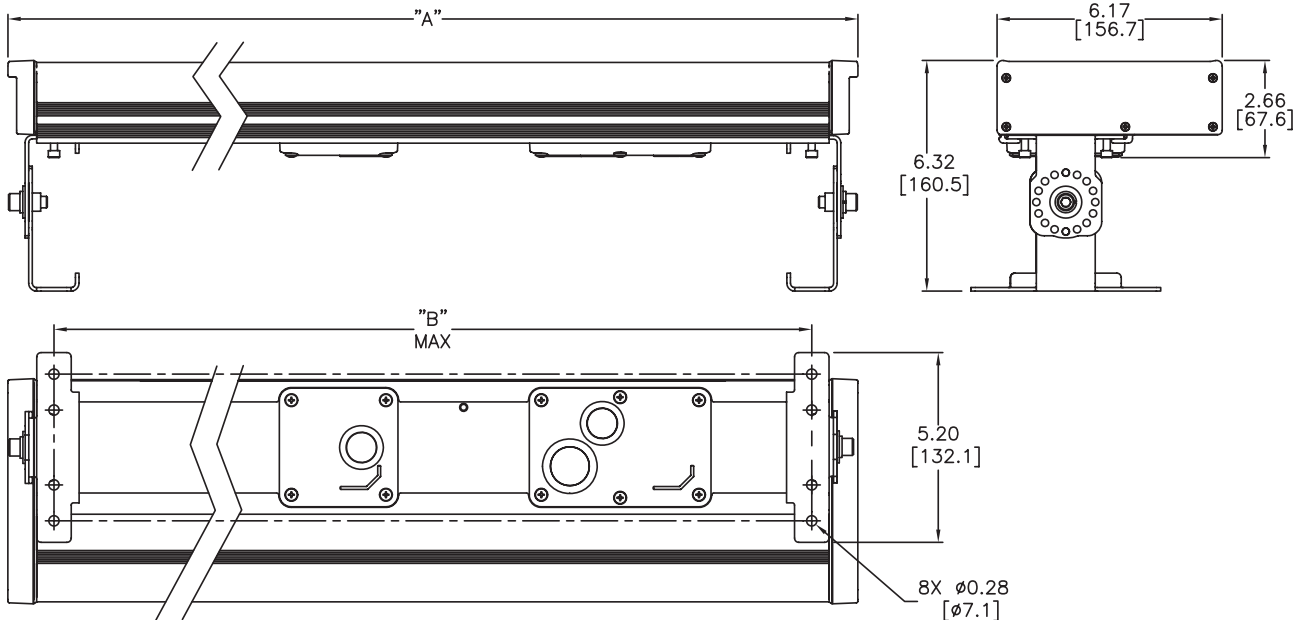
**MD4-0224T**

**\$929.00**



## Dimensions

Units: inches [mm]



DIMENSION TABLE		
PART NO.	DIM "A"	DIM "B" MAX
MD4-0212T	23.30 [591.8]	20.77 [527.6]
MD4-0224T	44.89 [1140.2]	42.38 [1076.5]

# ViewMarq Message Displays Specifications

ViewMarq 2-Line Message Displays Specifications		
Part Number	MD4-0212T	MD4-0224T
<b>Description</b>	2 Line X 12 Characters	2 Line X 24 Characters
<b>Display</b>		
• <b>Type</b>	LED matrix: Tri-color (Green, Red, Amber)	
• <b>LED Life</b>	100,000 hours	
• <b>LED Pitch</b>	0.19 in [5 mm]	
• <b>Center to Center Spacing of each LED</b>	0.27 in [7 mm]	
• <b>Number of Lines</b>	2 (Based on 5 x 7 pixel sized characters)	
• <b>Text Height</b>	1.25 in, 2 in, 4 in (Depends on character set selected)	
• <b>Character Set</b>	Printable ASCII	
• <b>Approximate Viewing Distance</b>	200 ft	
<b>AC Electrical</b>		
• <b>Input Voltage</b>	100-240 VAC (+10% / -15%), 50 / 60 Hz	
• <b>Maximum Current</b>	1A	2A
• <b>Power Consumption (MAX)</b>	38W	74W
• <b>Maximum Inrush Current (Cold and Hot)</b>	26A	24A
• <b>Input Fuse Protection (Internal)</b>	Yes (not user replaceable)	
• <b>Output Protection for Overcurrent, Over Voltage and Over Temperature</b>	Yes – Self Resetting	
• <b>Insulation Resistance</b>	> 10 MOhms @ 500 VAC	
<b>DC Electrical</b>		
• <b>Input Voltage</b>	24 VDC (+10% / -15%)	
• <b>Maximum Current</b>	2A	3.5A
• <b>Maximum Inrush Current (Cold and Hot)</b>	10.5A	
• <b>Input Fuse Protection (Internal)</b>	Yes (not user replaceable)	
• <b>Reverse Polarity Protection</b>	Yes	
<b>Communication</b>		
• <b>Serial Communications</b>	Serial RS-232, RS-485 both ASCII and Modbus, 2400 – 38.4KB	
• <b>Ethernet Communications</b>	Modbus TCP, 10/100BaseT	
<b>Dimensions / Weight</b>		
• <b>Enclosure Approximate Weight</b>	7.3 lbs [3.3 kg]	13.1 lbs [6.0 kg]
<b>Environmental</b>		
• <b>Storage Temperature</b>	-30 to +85 °C (-22 to +185 °F)	
• <b>Operating Temperature</b>	0 to 60 °C (32 to +140 °F)	
• <b>Humidity</b>	5 – 95% non-condensing	
• <b>Enclosure Ratings</b>	NEMA 12 indoor only, NEMA 4 indoor only	
• <b>Vibration</b>	IEC 60068-2-6 (Test Fc)	
• <b>Shock</b>	IEC 60068-2-27 (Test Ea)	
• <b>Noise Immunity</b>	EN61131-2:2007	
• <b>Agency Approvals</b>	UL508 (E157382), NEMA 4, NEMA 12, RoHS, REACH CE (EN61131-2:2007) - Pollution Degree 2, Overvoltage Category II	

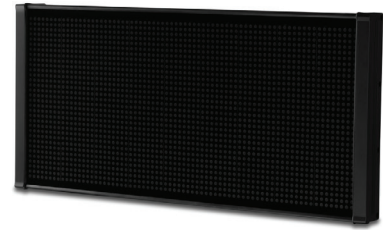
# ViewMarq 4-Line Message Displays

## Description

ViewMarq models MD4-0412T and MD4-0424T are 4-line, tri-color, 9.5-inch maximum character size LED message displays. Model MD4-0412T is a 4-line x 12 character display. Model MD4-0424T is a 4-line x 24 character display. Each supports red, amber and green characters, embedded string and numeric variables and scrolling (right, left, up and down). There are (1) RS-232 port, (1) RS-485 port and (1) 10/100 BaseT Ethernet port for configuration and external message control. They support serial ASCII, Modbus RTU, and Modbus TCP protocols. The extruded aluminum housing is NEMA 4 / NEMA 12 (Indoor only) rated. They are UL 508 listed and CE marked. Included are wall mount and chain mount bracket assemblies, 1/2 and 3/4 inch cable glands for input wiring and one seven foot Ethernet patch cable. The required configuration software (MD-PGMSW) can be downloaded for free or purchased on CD.

## Features

- Low power consumption, high-efficiency switch mode power supply
- Wall mount / cabinet top mount and chain mount - brackets included.
- Free, easy-to-use configuration software package
- The display is fully configurable through the ViewMarq software for ease of use.
- Messages can be sent by an ASCII serial string or through Modbus RTU or Modbus TCP.
- Serial RS-232/485 and Ethernet Modbus TCP communications can be used at the same time.
- Store and trigger up to 200 messages



MD4-0412T

\$916.00



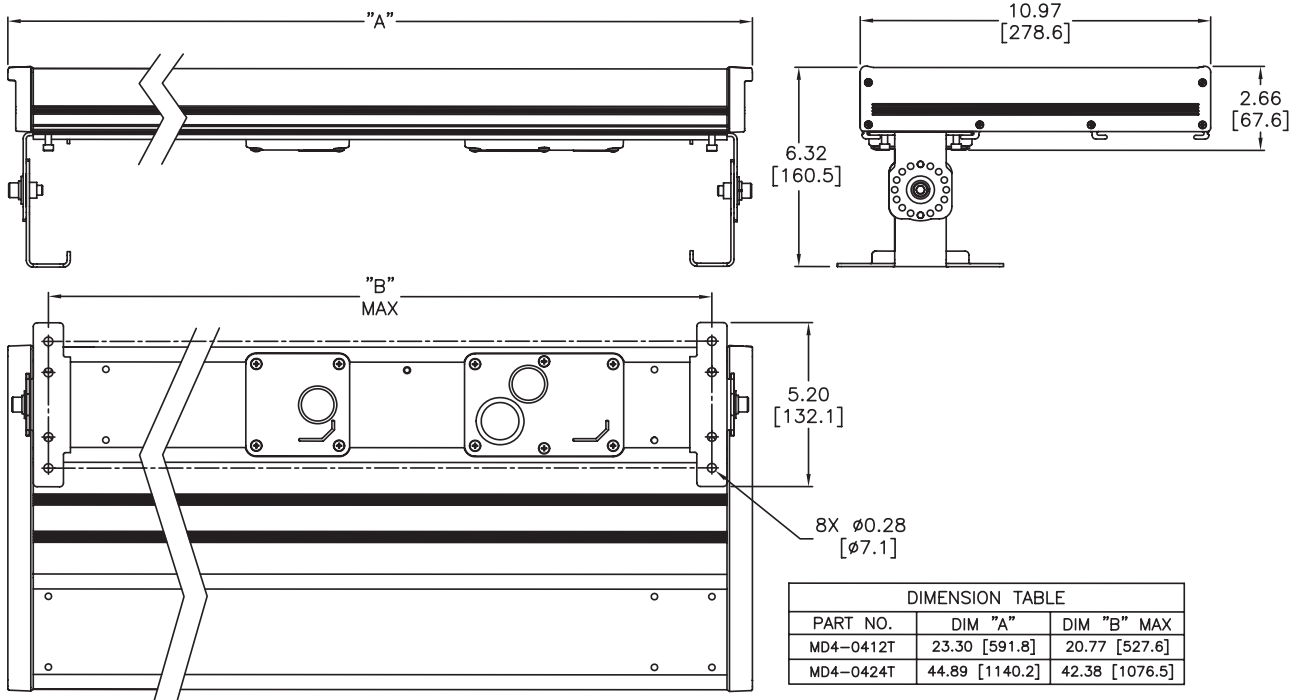
MD4-0424T

\$1,551.00



## Dimensions

Units: inches [mm]



# ViewMarq Message Displays Specifications

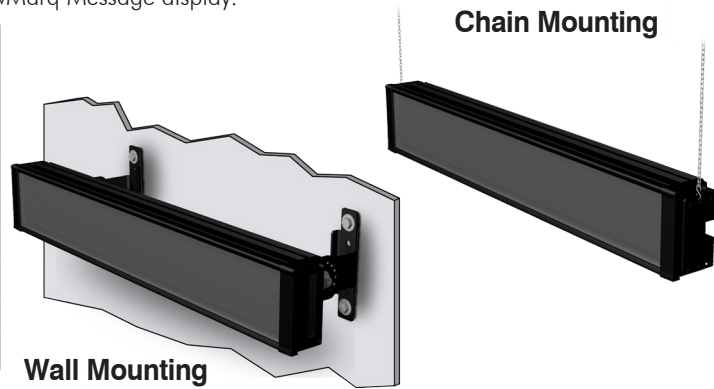
ViewMarq 4-Line Message Displays Specifications		
Part Number	MD4-0412T	MD4-0424T
<b>Description</b>	4 Line X 12 Characters	4 Line X 24 Characters
<b>Display</b>		
• <b>Type</b>	LED matrix: Tri-color (Green, Red, Amber)	
• <b>LED Life</b>	100,000 hours	
• <b>LED Pitch</b>	0.19 in [5 mm]	
• <b>Center to Center Spacing of each LED</b>	0.27 in [7 mm]	
• <b>Number of Lines</b>	4 (Based on 5 x 7 pixel sized characters)	
• <b>Text Height</b>	1.25 in, 2 in, 4 in, 6 in, 8 in (Depends on character set selected)	
• <b>Character Set</b>	Printable ASCII	
• <b>Approximate Viewing Distance</b>	400 ft	
<b>AC Electrical</b>		
• <b>Input Voltage</b>	100-240 VAC (+10% / -15%), 50 / 60 Hz	
• <b>Maximum Current</b>	2A	2A
• <b>Power Consumption (MAX)</b>	74W	123W
• <b>Maximum Inrush Current (Cold and Hot)</b>	24A	9.5A
• <b>Input Fuse Protection (Internal)</b>	Yes (not user replaceable)	
• <b>Output Protection for Overcurrent, Over Voltage and Over Temperature</b>	Yes – Self Resetting	
• <b>Insulation Resistance</b>	> 10 MOhms @ 500 VAC	
<b>DC Electrical</b>		
• <b>Input Voltage</b>	24 VDC (+10% / -15%)	
• <b>Maximum Current</b>	3.5A	4A
• <b>Maximum Inrush Current (Cold and Hot)</b>	10.5A	12A
• <b>Input Fuse Protection (Internal)</b>	Yes (not user replaceable)	
• <b>Reverse Polarity Protection</b>	Yes	
<b>Communication</b>		
• <b>Serial Communications</b>	Serial RS-232, RS-485 both ASCII and Modbus, 2400 – 38.4KB	
• <b>Ethernet Communications</b>	Modbus TCP, 10/100BaseT	
<b>Dimensions / Weight</b>		
• <b>Enclosure Approximate Weight</b>	12.1 lbs [5.5 kg]	22.5 lbs [10.2 kg]
<b>Environmental</b>		
• <b>Storage Temperature</b>	-30 to +85 °C (-22 to +185 °F)	
• <b>Operating Temperature</b>	0 to 60 °C (32 to +140 °F)	
• <b>Humidity</b>	5 – 95% non-condensing	
• <b>Enclosure Ratings</b>	NEMA 12 indoor only, NEMA 4 indoor only	
• <b>Vibration</b>	IEC 60068-2-6 (Test Fc)	
• <b>Shock</b>	IEC 60068-2-27 (Test Ea)	
• <b>Noise Immunity</b>	EN61131-2:2007	
• <b>Agency Approvals</b>	UL508 (E157382), NEMA 4, NEMA 12, RoHS, REACH CE (EN61131-2:2007) - Pollution Degree 2, Overvoltage Category II	

# ViewMarq Message Display Mounting Options

## Mounting Options

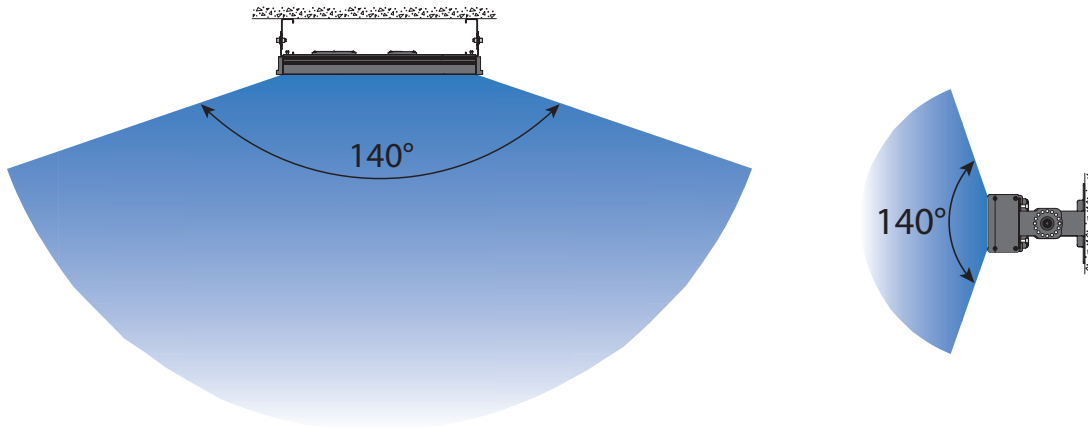
Two sets of mounting brackets are included with each ViewMarq Message display.

ViewMarq LED Display Mounting Specifications			
Part Numbers	Weight	Weight with Wall Mount Brackets	Weight with Chain Mount Brackets
<b>MD4-0112T</b>	4.9 lbs (2.2 kg)	6.1 lbs (2.8 kg)	5.4 lbs (2.5 kg)
<b>MD4-0124T</b>	9.0 lbs (4.1 kg)	10.2 lbs (4.6 kg)	9.6 lbs (4.4 kg)
<b>MD4-0212T</b>	7.3 lbs (3.3 kg)	8.5 lbs (3.9 kg)	7.8 lbs (3.5 kg)
<b>MD4-0224T</b>	13.1 lbs (6.0 kg)	14.3 lbs (6.5 kg)	13.6 lbs (6.2 kg)
<b>MD4-0412T</b>	12.1 lbs (5.5 kg)	13.3 lbs (6.0 kg)	12.6 lbs (5.7 kg)
<b>MD4-0424T</b>	22.5 lbs (10.2 kg)	23.7 lbs (10.8 kg)	23.0 lbs (10.5 kg)



## Viewing Angle

The ViewMarq display should be mounted for the optimum viewing angle.



## Viewing Distances

ViewMarq Message Displays Viewing Distances			
Part Numbers	Font Size	Minimum Recommended Viewing Distance	Maximum Recommended Viewing Distance
<b>MD4-0112T</b> <b>MD4-0124T</b> <b>MD4-0212T</b> <b>MD4-0224T</b> <b>MD4-0412T</b> <b>MD4-0424T</b>	1-1/4 in	6 ft (1.8m)	60 ft (18m)
<b>MD4-0112T</b> <b>MD4-0124T</b> <b>MD4-0212T</b> <b>MD4-0224T</b> <b>MD4-0412T</b> <b>MD4-0424T</b>	2 in	10 ft (3.0m)	100 ft (31m)
<b>MD4-0212T</b> <b>MD4-0224T</b> <b>MD4-0412T</b> <b>MD4-0424T</b>	4 in	20 ft (6.1m)	200 ft (61m)
<b>MD4-0412T</b> <b>MD4-0424T</b>	6 in	20 ft (6.1m)	300 ft (91m)
<b>MD4-0412T</b> <b>MD4-0424T</b>	8 in	20 ft (6.1m)	400 ft (122m)
<b>MD4-0412T</b> <b>MD4-0424T</b>	10 in	20 ft (6.1m)	500 ft (152m)

# ViewMarq Message Display Replacement Parts

The optional replacement parts can be used to replace damaged, worn or lost ViewMarq message display components.

## Replacement parts at a glance:

ViewMarq Message Display Replacement Parts		
Part Number	Description	Price
<b>MD-BRK-1</b>	Replacement wall mounting bracket assemblies for ViewMarq message display units, 2 per pack	\$36.00
<b>MD-BRK-2</b>	Replacement chain mount brackets for ViewMarq message display units, 2 per pack	\$18.00
<b>MD-TERM-SET</b>	Replacement terminal block set for ViewMarq message display units. Includes (1) 2-terminal DC power connector, (1) 3-terminal AC power connector, (1) 10-terminal connector (future), and (1) 6-terminal serial communications connector.	\$16.00
<b>MD-PWR-COV</b>	Replacement power connection cover for ViewMarq message display units. Includes (1) cover and (1) 1/2 inch NPT cable gland.	\$38.00
<b>MD-COM-COV</b>	Replacement communications cover for ViewMarq message display units. Includes (1) cover and (3) 1/2 inch NPT cable glands and (1) 3/4 inch NPT cable gland and 6mm and 10mm hole plugs.	\$16.00

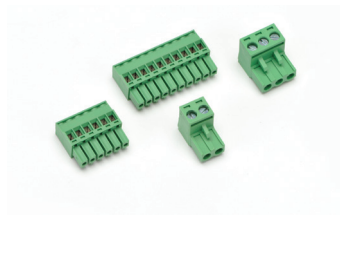
**Wall Mount Bracket**  
Part No. MD-BRK-1



**Chain Mount Brackets**  
Part No. MD-BRK-2



**Terminal Block Set**  
Part No. MD-TERM-SET



**Power Back Cover w/ Cable Gland**  
Part No. MD-PWR-COV



**Communication Back Cover w/ Cable Glands**  
Part No. MD-COM-COV





# ViewMarq Message Display Configuration Software

Free Software!

Part Number: MD-PGMSW

ViewMarq LED message display Windows-based configuration software. Requires Windows XP (Service Pack 3), Vista, Windows 7 (32 and 64-bit) or Windows 8 (32 and 64-bit). Requires serial or Ethernet connection to the ViewMarq display. Available for purchase on CD or can be downloaded for free from AutomationDirect Web site. Ethernet cable ships with display.



COPYRIGHT © 2013 WWW.AUTOMATIONDIRECT.COM. ALL RIGHTS RESERVED.

## Built-in Message Simulator

- Runs the message on your PC as you type.
- Test all of your messages before downloading
- Time savings saves you money!

## Simple Message Creation

- Message creation and editing is made simple and fast with intuitive software. Easy-to-find tools help change the character color, add blinking, and insert embedded variables.

## Text Editor

- Simple and intuitive text message creation, editing and formatting.

## Command String Viewer

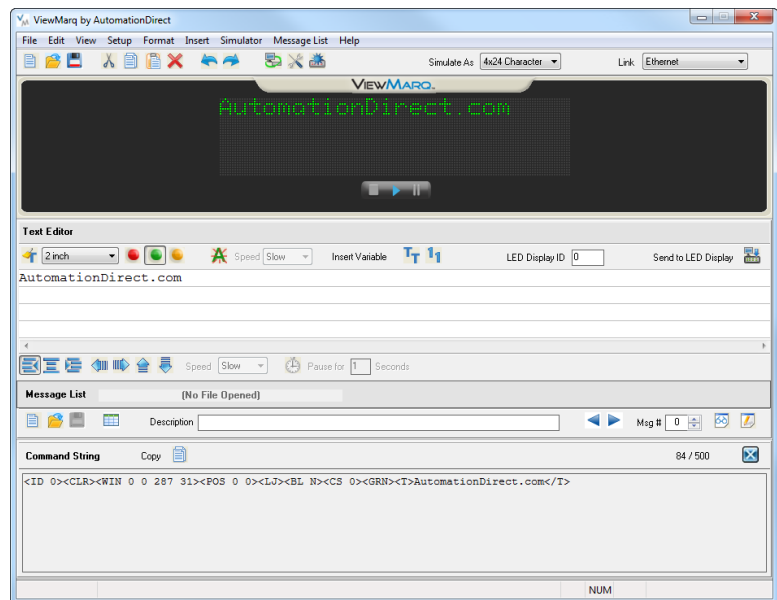
- Allows you to copy and paste the command string needed for your PLC ladder code.

## Message Lists

- Create message lists that can be downloaded to the LED Display and triggered by a PLC or by discrete inputs.

## PC Requirements

- Personal Computer with a 333 MHz or higher processor (CPU) clock speed recommended; Intel® Pentium/Celeron family, or AMD® K6/Athlon/Duron family, or compatible processor recommended
- Keyboard and Mouse or compatible pointing device
- XVGA color video adapter and monitor with at least 1024 x 768 pixels required, 64K color minimum
- 50 MB free hard-disk space
- 512 MB free RAM
- CD-ROM or DVD drive if installing software from the CD
- Serial Port or Ethernet 10/100 Mbps port for configuring LED Display
- Operating System - Windows XP SP3, Windows Vista, Windows 7, Windows 8



## Download the Software!

The Viewmarq Configuration Software can be downloaded at no charge from the AutomationDirect Web site, or a CD version may be purchased for \$10 by ordering p/n MD-PGMSW. Help files are included in the software.

# Other products you might want to consider

## Build your control system for less!

with our everyday low prices on high-quality components

### From cable to wire duct ...

**NEW!** 300V UL **Instrumentation Cable** is dual listed as UL 2250 Type ITC (Instrumentation Tray Cables) and UL 13 Type PLTC (Power Limited Tray Cables).

- 18 gauge
- 1, 2, 4 or 8 twisted pairs
- Overall shielded or individually shielded with overall shield
- Available in 100, 250 or 1000 ft reels

Flexible **multi-conductor control cable** is suitable for wet and dry locations, and is resistant to sunlight, oil and moisture penetration.

- Conductor sizes from 18 to 10 gauge
- 3 to 41 unshielded conductors
- Available in 100, 250, 500 or 1000 ft reels
- UL and CSA approved, RoHS compliant

Heavy-duty **multi-wire connectors** quickly and reliably connect wiring in applications such as machinery, robots, and control and signal circuits.

- Build custom connectors from components
- 3 to 144-pole configurations
- 3A to 32B sizes
- Bulkhead or surface mount housings with standard or automatic covers

Keep your wiring in order with Iboco rigid or flexible **wire duct** in a choice of styles and colors.

- Standard or thin finger slotted styles, and solid duct for special applications
- Standard duct in gray, blue and black
- Sold per 2-meter piece for convenience or in cost-saving multi-packs

#### Multi-Conductor Control Cable

100-foot reels start at: \$50.00 (V40166-100)

#### Instrumentation Cable

100-foot reels start at: \$32.00 (PLTC3-18-1S-100)

#### Wire Duct

starting at: \$12.00 (single piece) or \$184.00 (20-piece pack)

#### Multi-Wire Connectors

All components sold separately

### Also Available

Enclosures



Wiring Devices



Terminal Blocks



Tools



Cat5e Cables



Field Wireable Connectors



Cable Ties & Accessories



Research, price, buy at:  
[www.automationdirect.com/wiring-solutions](http://www.automationdirect.com/wiring-solutions)