

# Connection Cables - Sensor and Signal

## M12 A-coded Female with LED Indication to Male Cables

### Features

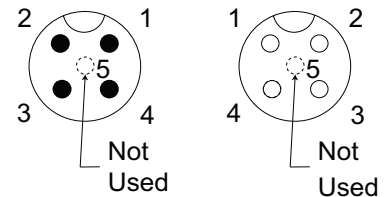
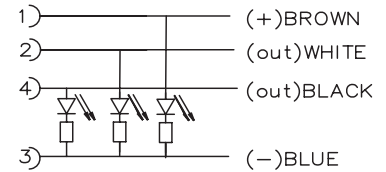
- Right-angle M12 female plug with LED indication on one end and axial male plug on the other end
- PUR (polyurethane) jacketed cable for app with exposure to oil and dynamic applicati requiring more flexibility
- 0.3 m [0.98 ft], 0.6 m [1.97 ft], 1m [3.28 ft], 2m [6.5 ft], 5m [16.4 ft], and 10m [32.8 ft] cable lengths
- LED indication for 10–36 VDC PNP sensors only



M12 A-coded Female with LED Indication to Male Cables						
Part Number	Price	Length	Number of Wires	Connectors	LED	Cable Jacket Material
<a href="#">EVC322*</a>	\$14.00	0.3 m [0.98 ft]	4	Right-angle female, axial male	Yes	PUR
<a href="#">EVC323*</a>	\$15.50	0.6 m [1.97 ft]				
<a href="#">EVC324*</a>	\$16.00	1m [3.28 ft]				
<a href="#">EVC325*</a>	\$18.00	2m [6.5 ft]				
<a href="#">EVC326*</a>	\$21.50	5m [16.4 ft]				
<a href="#">EVC327*</a>	\$26.50	10m [32.8 ft]				

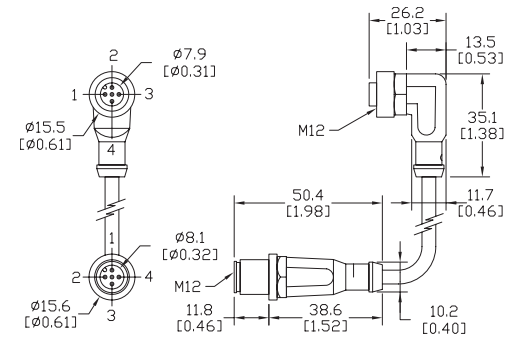
\*Note: LED for 10–36 VDC PNP devices only.  
Do not use with NPN or analog output devices.  
Do not use when white wire (Pin 1) is used for selection of a sensor function.  
Do not use when emitter has check function.

### Wiring



### Dimensions

mm [inches]



M12 A-coded Female with LED Indication to Male Cables Specifications		
Operating Voltage	10-36 VDC	
Max Voltage - UL Rating	36VDC	
Max Current Per Contact	4A	
Protection Degree	IP65 / IP67 / IP68 / IP69K	
Nut Material	Nickel plated Brass	
Cable Jacket Insulation Material	Polyurethane (PUR)	
Contacts Material	Gold plated	
Tightening Torque	0.6 to 1.5 N·m [0.4 to 1.1 ft·lb]	
Conductors Cross Section	0.34 mm <sup>2</sup> [22AWG]	
Ø Outer Cable For PUR	4.3 mm [0.17 in]	
Temperature Range Stationary Use	-25 to 90°C [-13 to 194°F]	
Temperature Range - Flexible Use	-25 to 90°C [-13 to 194°F]	
Min Bend Radius	Stationary use: 5 x cable diameter; Flexible use: 10 x cable diameter	
LED Current Loading	10V input Brown wire LED: 1.7 mA White and/or Black LED: 0.9 mA	36V input Brown wire LED: 7.3 mA White and/or Black LED: 4.7 mA
Switching Status LED	2 x Yellow	
Function Display Power LED	1 x Green	
Approvals*	cULus, CE, UKCA	

\*To obtain the most current agency approval information, see the Agency Compliance & Certifications Checklist section on the specific part number's web page.

### UL Reference

<a href="#">EVC322</a>	VDOAH043MSS00.3H04STGH040MSS
<a href="#">EVC323</a>	VDOAH043MSS00.6H04STGH040MSS
<a href="#">EVC324</a>	VDOAH043MSS0001H04STGH040MSS
<a href="#">EVC325</a>	VDOAH043MSS0002H04STGH040MSS
<a href="#">EVC326</a>	VDOAH043MSS0005H04STGH040MSS
<a href="#">EVC327</a>	VDOAH043MSS0010H04STGH040MSS